



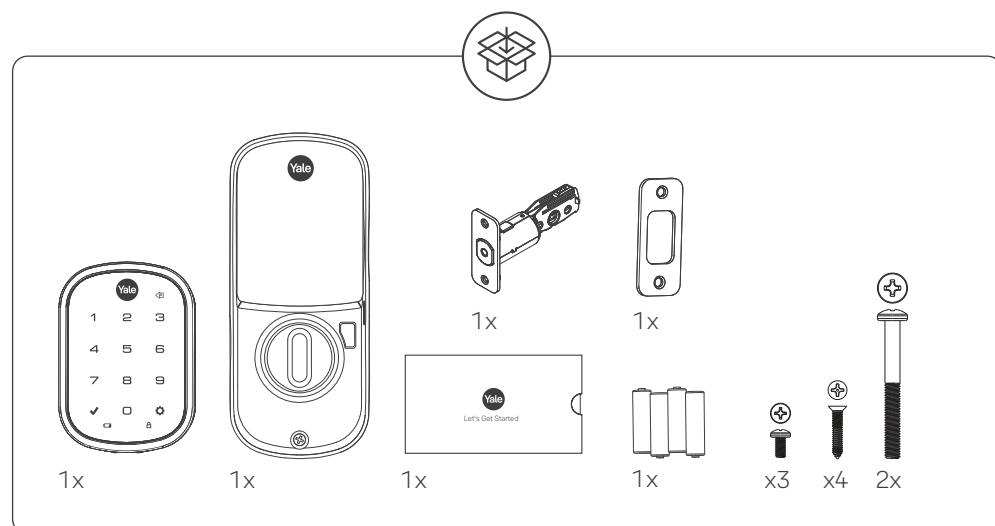
Smart Together



www.yalehome.com

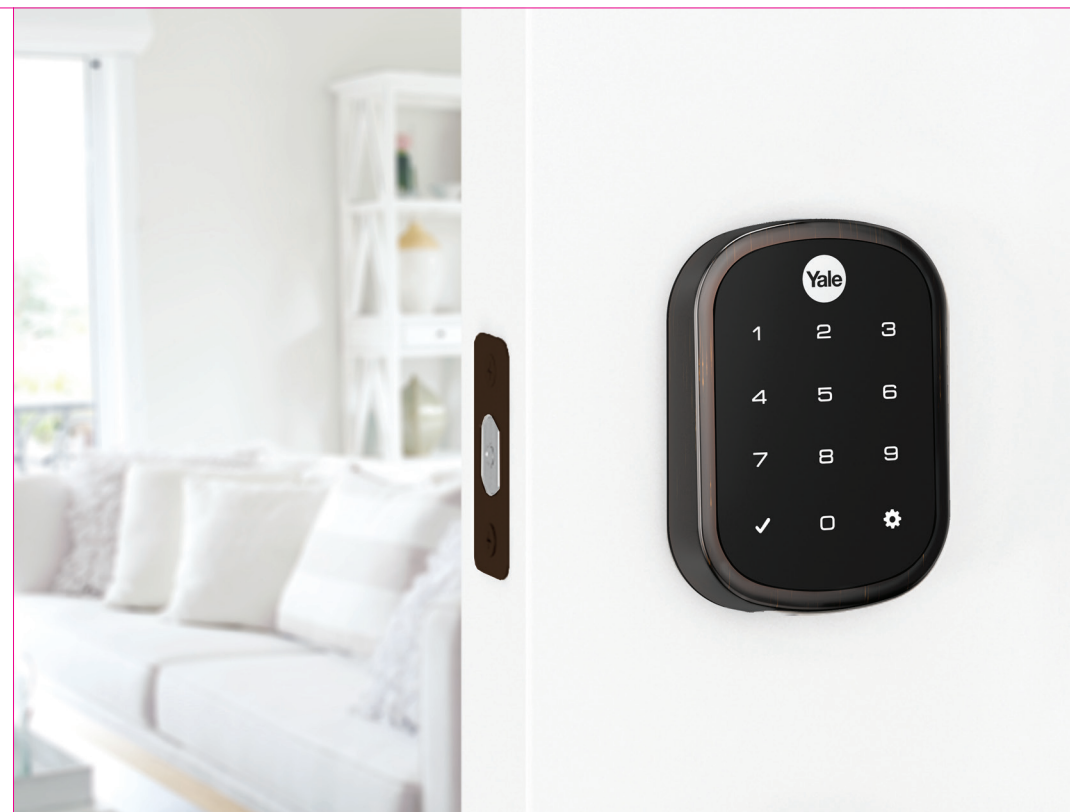
Upgrade with a Yale module\* to intergrate seamlessly with a compatible home automation or alarm system.

\*App access available when upgraded with module. Yale module sold separately

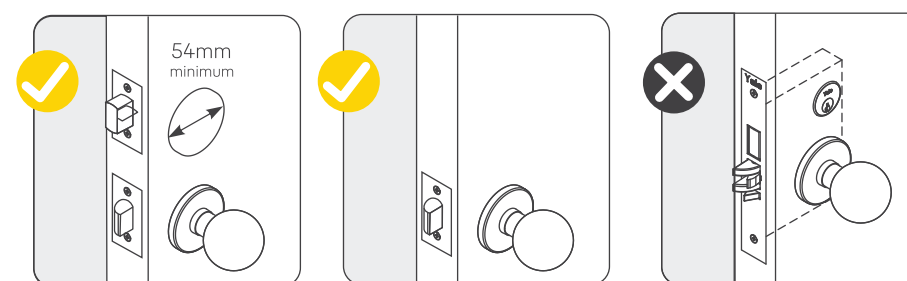


## Assure Lock® SL

YRD256NRORB  
Oil Rubbed Bronze



### Simple Installation



- Replaces existing deadbolt with just a screwdriver
- Voice assistance will guide you through setup and menu options
- Fits on standard doors 35mm to 57mm thick
- 60-70mm adjustable backset deadbolt

**Important:** This product is suitable for residential applications on entry doors. It's not suitable for entry points where the escutcheon is exposed to outdoor elements.



#### Touchscreen Keypad

Unlock by entering your PIN code and lock-up with a simple tap of the keypad



#### One Touch Locking

Lock-up without the hassle of keys by simply tapping the keypad



#### Key Free

No cylinder means no lost keys and no pick and bump break-ins.



#### Battery Back-Up

Never lose power, the lock can be energized with a 9V battery.



#### Optional Settings

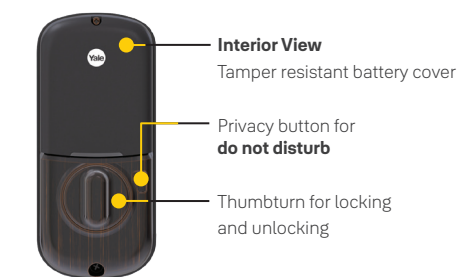
Customise auto re-lock, privacy mode and volume settings within the lock menu.



#### Smart Home Automation

Monitor access, lock and unlock your door from anywhere when you upgrade with the Yale Access Kit\*, Zigbee or Z-Wave module\*\* and integrate into a compatible home automation or security system.

\*Yale Access Kit includes, Yale Access module and Yale Connect Wi-Fi bridge for remote access (sold separately). \*\*Network modules sold separately.



For more information on this product and the Yale Assure range visit:  
Web: yalehome.com  
Tel: +64 (0)9 448 9188  
Email: nzsales@assaabloynz.com

Imported by  
**ASSA ABLÖY**  
Part of ASSA ABLÖY

© Copyright 2020 ASSA ABLÖY New Zealand. All rights reserved.  
Yale® is a registered trademark of ASSA ABLÖY AB in New Zealand.  
Assure Lock® is a registered trademark of ASSA ABLÖY in New Zealand. Other products' brand names may be trademarks or registered trademarks of their respective owners and are mentioned for reference purposes only. Manufactured to ASSA ABLÖY New Zealand specifications in Vietnam ABN 90 086 451 907.

