



Wireless Access Control Light Commercial Lockset

ASSA ABLOY

The global leader in
door opening solutions.



ASSA ABLOY Wireless Access Control Light Commercial locking solution provides you with all the features you will need to manage your security requirements and provide peace of mind to all users.

Our locking solutions provide total flexibility, adapting our solutions to your specific needs.

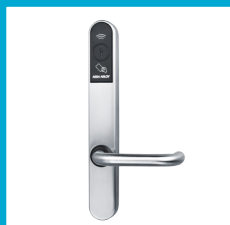
Contents

- 4 - 5** **Wireless Access Control Escutcheon**
 - Storeroom Escutcheon
 - Door Access Controller Wall Reader

- 5** **Access Management Components**
 - Access Cards
 - Access Management Setting Cards
 - Software Management Cards
 - Mechanical Key
 - Encoder

- 6** **Access Management System**
 - Software
 - Computer Requirements

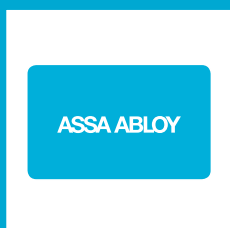
- 7** **Product Part Numbers**



Access Control



Common access points,
and emergency exits



RFID
Technology



User friendly
Software

Wireless Access Control Escutcheon

RFID Proximity Identification Technology

Product Features

- Stand-alone Electronic Wireless Access Control lockset with RFID Proximity reader
- Powered by 4xAA batteries that provide up to 12 months normal usage
- 500 event audit trail
- Stainless Steel Escutcheon
- High security mortise lockcase
- Panic release function – the latch is automatically retracted by the inside handle for easy egress in emergency situations
- 3 point steel latch construction with an antifriction mechanism

Door Opening Time:

Door automatically locks within 5 seconds after opening.

Under Voltage Indication:

Early warning given for low batteries - units will continue to operate for approximately 50 times once warning is given.

Environment:

- Working Humidity: 20%-98%
- Working Temperature: -20°C - +70°

RFID Card

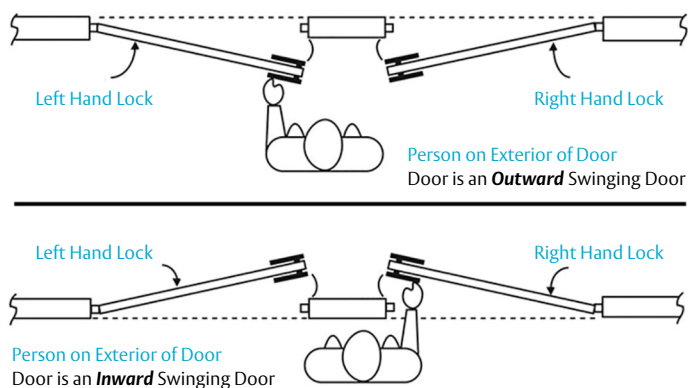
- RFID Card Type: ISO 14443A MIFARE®
- Frequency: 13.56MHz
- Reading Distance: Approx. 30mm
- Card Dimensions: 85.5x54x0.8mm (credit card size)

Escutcheon and Lever Design

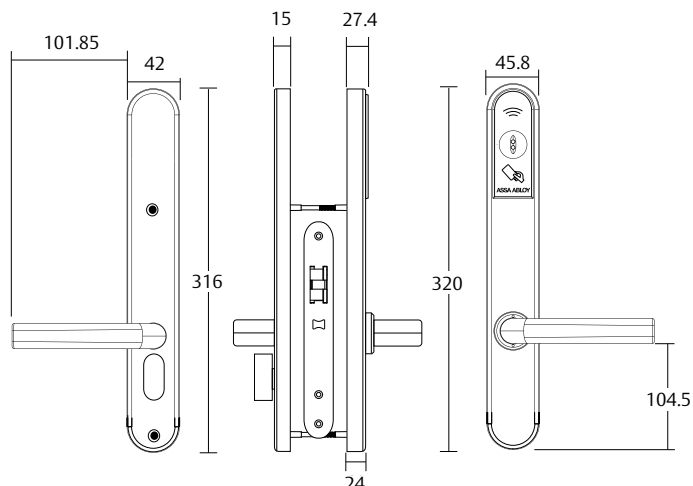


Handing Chart

Note: Door handing differs to New Zealand and Australian door handing convention



Escutcheon Dimensions



Access Management Components

Access Cards

User Cards: Opens locks (with applicable access rights) within the Access Control System within a specific time period. The access rights for each user are programmed by the software and encoder

User cards will not open doors that have the internal 'Privacy mode' set

Access Management Setting Cards

Setting Card: Set the Address ID of door lock

Time Card: Set current time into the door lock

Recorder Card: Reads the Audit Trail Information from the locking devices

Software Management Cards

Special IC card: Activates the system. (Management Software)

Reset Card: For initialising the door locks.

Mechanical Key

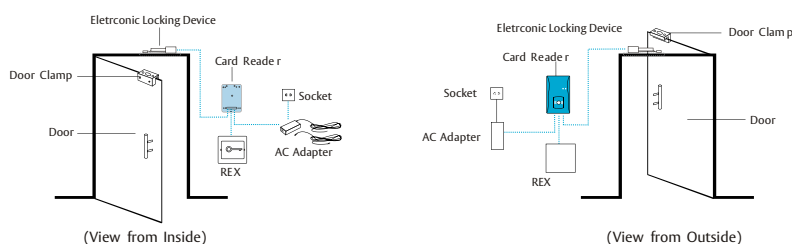
Cylinder + Key Each Wireless Access Control Escutcheon Lockset is equipped with a mechanical key override to assist with gaining entry if battery warning is ignored

Encoder

- Plug-and-Play USB Card Encoder
- Easy to learn and use: easily assign new users and cards, modify access or invalidate lost or stolen cards
- Programs all cards types except for the Special IC card, which is used to activate the software management system
- Reads the audit trail of locks and cards

Door Access Controller Wall Reader

- RFID Door Access Controller Wall Reader can be used on an entry door as part of the complete wireless access control system. It can also be used on any other common area doors in the building



- The RFID Door Access Controller Wall Reader can be used with a number of different electronic lock types. Compatible with electronic magnets, drop bolts, motorised locks and electric strikes
- Includes the correct power supply and request to exit button (REX) on the inside of the door to allow convenient free egress for all users



Operating Instructions:

1. Please hold the card close to lock
2. Green Light indicates lock is open
3. Turn handle to open the door

The global leader in door opening solutions

ASSA ABLOY

Access Cards



Encoder



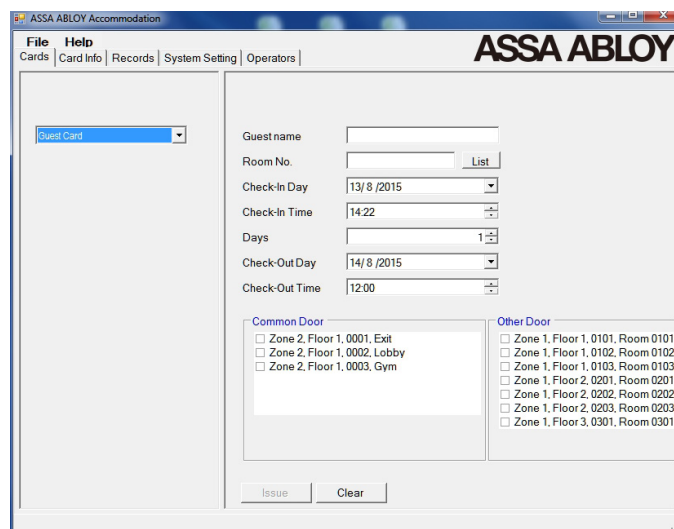
Door Access Controller Wall Reader

Access Control Management System

Software

A simple to use software system that makes it easy to manage and maintain your access control

- Basic door management software system that is simple to add and delete doors/users as necessary
- Flexible user access rights
- Software Management Cards for activating card issuing system and initialising the door locks
- Audits: Show and report on:
 - Lists of individual doors
 - Identification of users
 - Doors by floor, building, block, zone etc.
 - A report of every opening/closing registered by all locks/readers
 - All events relating to the operation of the software (Logins etc.)
- Different levels for operators. (Administrators)
- Intuitive Windows® based software



Computer Requirements

Supported Operating Systems:

ASSA ABLOY Desktop Client

Windows 7, Windows Server 2003, Windows Server 2008, Windows Server 2008 R2, Windows Vista, Windows XP

System Memory:

Minimum 2 GB

Hard Disk:

4 GB of Disk Space

Processor:

2 GHz or faster

ASSA ABLOY Server / Client

Windows 7, Windows Server 2003, Windows Server 2008, Windows Server 2008 R2

Minimum 4 GB

4 GB of Disk Space

2 GHz or faster

Product Reference Codes Functions

Product Part Numbers

ASSA ABLOY's Wireless Access Control Semi Commercial Lockset Solution Product

Software

AA-ACC-SOFTWARE Management Software (Including Special IC Card)
AA-ACC-ENCODER Card Encoder

Locksets / Escutcheon

Store Room Mortise Lock

AA-ACC-ST-LOCK-DLO Mortise Latch Only – D Handle (LH Open Out)
AA-ACC-ST-LOCK-DLI Mortise Latch Only – D Handle (LH Open In)
AA-ACC-ST-LOCK-DRO Mortise Latch Only – D Handle (RH Open Out)
AA-ACC-ST-LOCK-DRI Mortise Latch Only – D Handle (RH Open In)

Cards

AA-ACC-IC CARD Special IC Card: Activates the card issuing system. (System Card)
AA-ACC-RECORD Recorder Card: Reads the Audit Trail Information from the Locking devices

AA-ACC-USER CARD User Cards Writeable User Cards
AA-ACC-PROP CARD User Propriety Cards: Writeable Cards (Artwork by customer)
Minimum Order is 500 Cards for User Propriety Cards

Product Accessories

AA-ACC-WALL Wall RFID Door Access Controller (Includes - Power Supply & REX (Request to Exit Button))

ASSA ABLOY

ASSA ABLOY is the global leader in door opening solutions, dedicated to satisfying end-user needs for security, safety and convenience.

ASSA ABLOY is represented in all major regions, in both mature and emerging markets, with leading positions in Australasia, Europe and North America.

As the world's leading lock group, **ASSA ABLOY** offers a more complete product range of door opening solutions than any other company in the market.

ASSA ABLOY New Zealand Ltd.
6 Armstrong Road
Albany, Auckland 0632
New Zealand
+64 9 448 9188

www.assaabloy.co.nz

