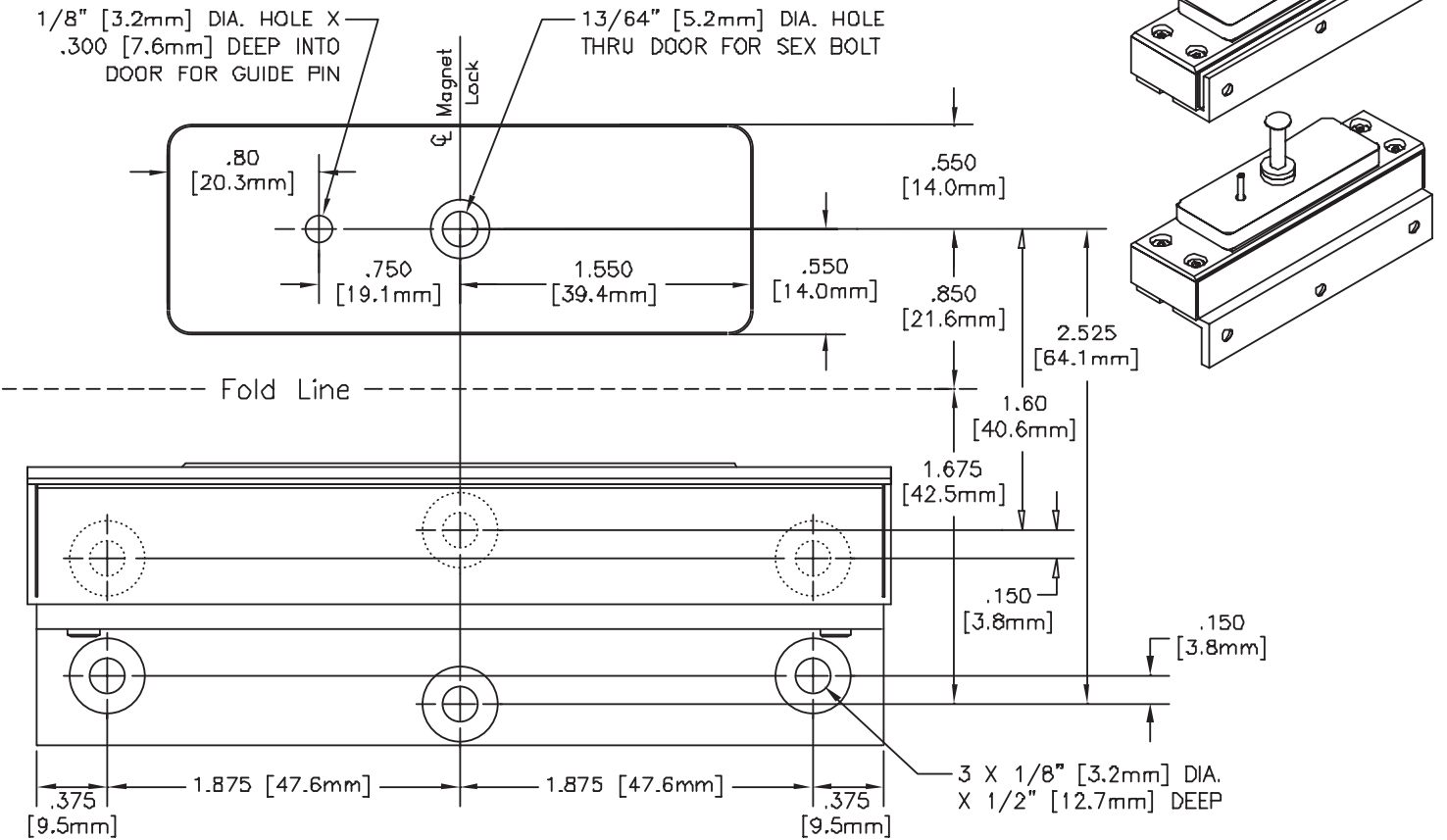


# TEMPLATE FOR MCL SERIES MAGNALOCK

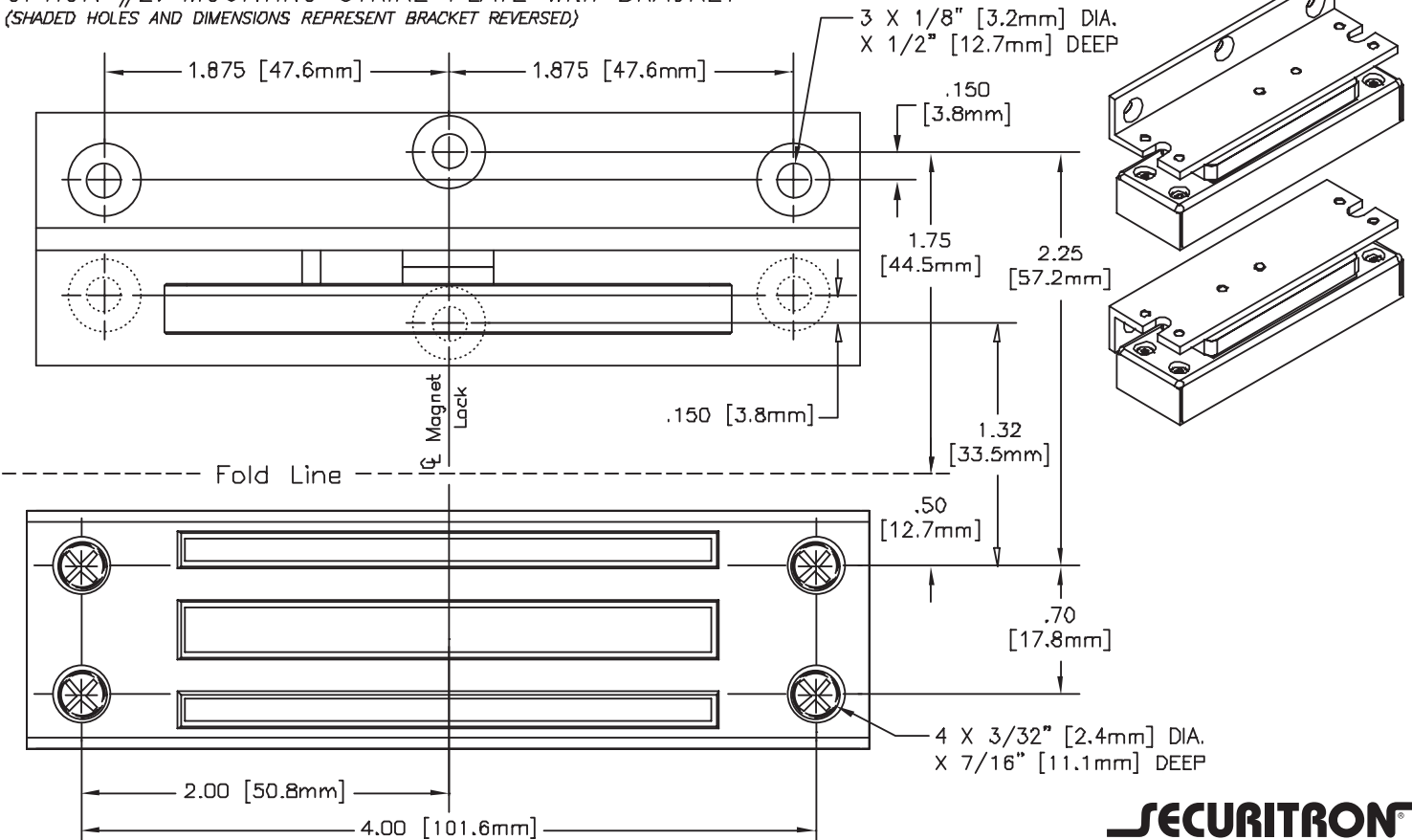
!!! WARNING: DO NOT DRILL INTO MAGNET OR STRIKE FOR ANY REASON !!!

1. See installation instructions for full information and troubleshooting.
2. The relationship between the magnet mounting holes is critical. Do not let your markings or drilling wander.
3. Do not overdrill the diameter of the 1/8" [3.2mm] magnet mounting bracket or magnet mounting holes.
4. Do not over tighten the magnet mounting screws.
5. Be careful not to scrape the magnet cable when placing it back into position.
6. The two rubber washers stack and mount behind the strike on the center strike mounting screw. Don't place the washers on the roll pin.
7. Do not overdrill the diameter of the 13/64" [5.2mm] sex bolt mounting hole.
8. Do not over tighten the strike mounting screw into the sex bolt.
9. Make sure the strike plate floats and pivots around the center mounting screw. This compensates for door misalignment. If the strike is mounted rigidly, the Magnalock will not function properly.
10. DO NOT PHOTOCOPY TEMPLATE (dimensions will change).

## OPTION #1: MOUNTING MAGNALOCK with BRACKET (SHADED HOLES AND DIMENSIONS REPRESENT BRACKET REVERSED)



## OPTION #2: MOUNTING STRIKE PLATE with BRACKET (SHADED HOLES AND DIMENSIONS REPRESENT BRACKET REVERSED)



Released: 8/29/2007  
Securitron Magnalock Corp.

**SECURITRON**  
**ASSA ABLOY**