

SMARTair™ Product Catalogue



Lockwood: *no worries*®



ASSA ABLOY

www.assaabloy.co.nz

Experience a safer
and more open world

Content

Electronic Escutcheon	4
Knob Cylinder	10
Wall Reader	11
Updater	13
Cabinet Lock	14
Portable Programmer	16
Encoder	17
Software & License	18
Standalone Management Tools	19
Openow	20
Accessories	26

SMARTair™ Commercial Access Control

SMARTair™' friendly access control solution upgrades your security to new levels – with minimal effort on your part.

SMARTair™ is an outstanding, modern high security solution, combining exceptional quality with appealing convenience and stylish design. It is ideal for a wide range of organizations and businesses in a wide range of sectors: retirement homes, small hotels, campuses, healthcare facilities, office buildings, sports clubs, government and municipal agencies, airports and many others.

Versatile SMARTair™ is available in several versions

SMARTair™ Standalone – This basic version of SMARTair™ manages access to a single door. Requiring no software or programming device, it relies on a programming card to authorize or cancel electronic access cards and/or PINs.

SMARTair™ Update-on-Card (UoC) – SMARTair™ Update-on-Card systems are built, operated and managed by the versatile SMARTair™ TS1000 software. System management is facilitated by using the users' cards to pass information from the central station to doors throughout the premises.

SMARTair™ Wireless – Controlled directly from the system manager's PC, this sophisticated version of SMARTair™ notifies managers immediately about events at every door, enabling them to change authorizations and schedules and even open distant doors – without leaving their desks.



SMARTair™ Electronic Escutcheon

(Standalone, UoC or Wireless)










The SMARTair™ wire-free and battery powered escutcheons are ideal for transit, office or meeting room doors. The wide range of escutcheons offer a RFID reader and locking mechanism in one for all kind of doors.



Wireless



Standalone, UoC

	Door profiles	Suitable for timber or aluminium doors
	Traffic volume	Medium to high
	Exterior usage	IP55 Up to 85% humidity -20°C to + 70°C
	Hardware compatibility and installation	High retrofit (compatible with most common mortise locks) Drilling, no cabling Doors from 30mm up to 110mm (thicker doors may be possible on request)
	Power supply	Battery (from 60,000 to 80,000 cycles)* max. 2 years standby** Type of batteries: 3 LR03 AAA 1.5V alkaline batteries
	Multi-authentication	There are 2 models: - RFID only - RFID and PIN (keypad)
	Certifications	Approved for use on fire doors in New Zealand***
	RFID technologies	MIFARE Classic and Ultralight HID iCLASS® **** SKIDATA **** DESFire****
	System management upgradability	Escutcheons can be upgradeable from Stand-alone > UoC Wireless Online by: • Adding RF module • Firmware upgrade • Change of internal cover (plastic top)

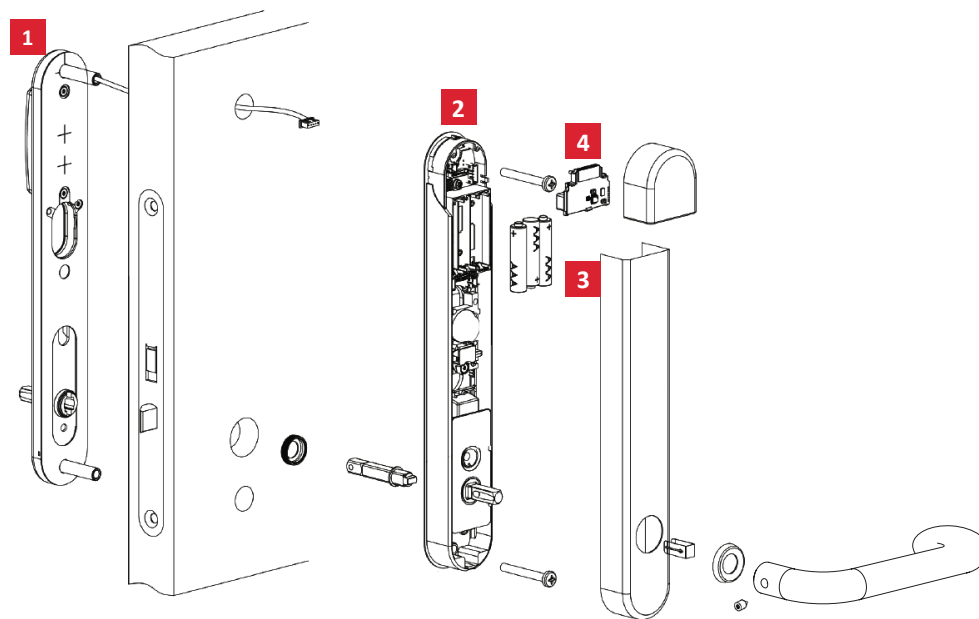
* Depending on reading technology (MIFARE, iCLASS etc.)

** Depending on cycles per day.

***Please consult with Door Hardware Manufacturer before ordering

****Available on request

Electronic Technical Characteristics - Wireless



Reader Module 1

- Reading distance: 2-4cm read/write distance with standard RFID credentials.
- Emergency opening: jack connection is available to connect the portable programmer and emergency kit
- RFID reader with capacitive keypad (Keypad reader option) and backlighting LEDs (green/red/blue) for different warning signals: access authorized or denied, low battery level, etc
- Buzzer included for PIN confirmation and access denied.
- Operating modes:
 - Only RFID
 - Only PIN
 - RFID+PIN
 - PIN+RFID

Control Unit 2

- Upgradeable firmware
- Non-volatile memory. The escutcheon can be programmed to operate in 2 modes:
 - Normal mode: 1500 users and 600 events
 - High traffic door: unlimited number of users filtered into 48 groups (permissions). Stores 1000 events
- Number of PINs:
 - PIN+RFID (or RFID+PIN): unlimited PINs (stored in card)
 - Only PIN mode: 8
 - 1 door PIN
 - 7 common PINs per installation selectable in each door.

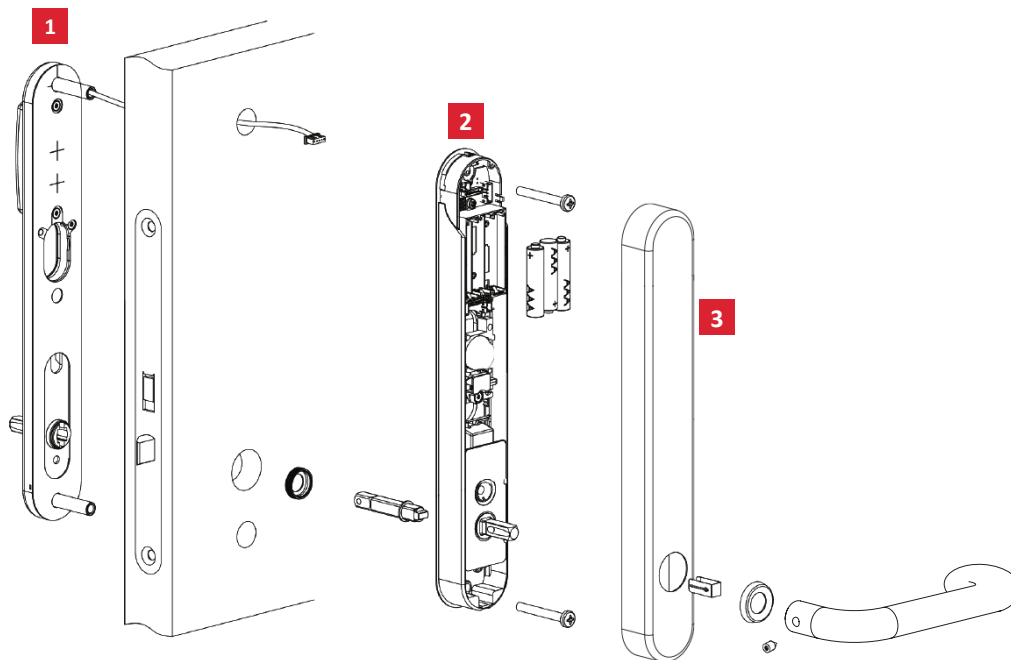
- Type of PIN: 4-6 digitals
- Read-time clock and calendar:
 - 28 time zones with 5 time periods (week days and holidays selectable)
 - State tables: configure 20 changes of operating modes in a door per day (switch door from lock to unlock)
 - Yearly calendar: is updated every month automatically by the wireless system
 - Automatic DST: daylight Saving Time change updated with calendar
- Operating modes:
 - Standard default operating mode. Freewheeling handle until valid credential presented then allows to open the door for 4-10 seconds (configurable)
 - Passage mode: escutcheon is always in open mode (configured by time zones or by authorized user after double badging)
 - Double user: two valid credentials needed to open the door
 - First user: lock in standard mode until first valid user enters, then will remain in passage mode (until closed by authorized user or automatically by time zone, state table)

Battery Module 3

- Easy battery change
- Maintains clock/calendar for 5mins without batteries.
- Battery status reported on every event or once a day if no event happens

RF Module 4

- 915MHz
- 30 configurable channels:
 - From 915.00 to 922.25MHz in steps of 0.25MHz each channel
 - Auto-link with communication Hubs (easy setup)
- Upgradeable firmware



Reader Module 1

- Reading distance: 2-4cm read/write distance with standard RFID credentials.
- Emergency opening: jack connection is available to connect the portable programmer and emergency kit
- RFID reader with capacitive keypad and backlighting LEDs (green/red/blue) for different warning signals: access authorized or denied, low battery level, etc
- Buzzer included for PIN confirmation and access denied.
- Operating modes:
 - Only RFID
 - Only PIN
 - RFID+PIN
 - PIN+RFID

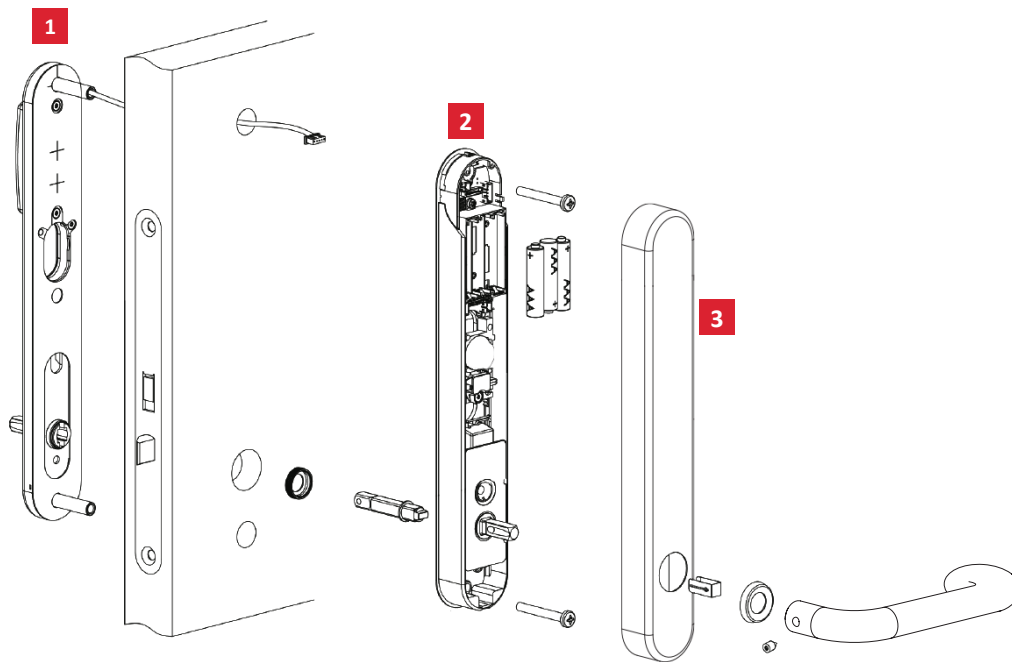
Control Unit 2

- Upgradeable firmware
- Non-volatile memory. The escutcheon can be programmed to operate in 2 modes:
 - Normal mode: 1500 users and 600 events
 - High traffic door: unlimited number of users filtered into 48 groups (permissions). Stores 1000 events
- Number of PINs:
 - PIN+RFID (or RFID+PIN): unlimited PINs (stored in card)
 - Only PIN mode: 8
 - 1 door PIN
 - 7 common PINs per installation selectable in each door.

- Type of PIN: 4-6 digitals
- Read-time clock and calendar:
 - 28 time zones with 5 time periods (week days and holidays selectable)
 - State tables: configure 20 changes of operating modes in a door per day (switch door from lock to unlock)
 - Yearly calendar: is updated every month automatically by the wireless system
 - Automatic DST: daylight Saving Time change updated with calendar
- Operating modes:
 - Standard default operating mode. Freewheeling handle until valid credential presented then allows to open the door for 4-10 seconds (configurable)
 - Passage mode: escutcheon is always in open mode (configured by time zones or by authorized user after double badging)
 - Double user: two valid credentials needed to open the door
 - First user: lock in standard mode until first valid user enters, then will remain in passage mode (until closed by authorized user or automatically by time zone, state table)

Battery Module 3

- Easy battery change
- Maintains clock/calendar for 5mins without batteries.



Reader Module **1**

- Reading distance: 2-4cm read/write distance with standard RFID credentials.
- Emergency opening: jack connection is available to connect the emergency kit
- RFID reader with capacitive keypad and backlighting LEDs(green/red/blue) for different warning signals: access authorized or denied, low battery level, etc
- Buzzer included for PIN confirmation and access denied.
- Operating modes:
 - Only RFID
 - Only PIN
 - RFID+PIN

Control Unit **2**

- Upgradeable firmware
- Non-volatile memory. The escutcheon can be programmed to operate in 2modes:
 - Standard programming: 500 cards
 - Shadow programming: 250 cards + 250 shadows
- Number of PINs:100
- Operating modes:
 - Standard default operating mode. Freewheeling handle until valid credential presented then allows to open the door for 4 seconds
 - Passage mode: escutcheon is always in open mode

Battery Module **3**

- Easy battery change

Mechanical Characteristics

Mortise Lock

- Compatible with Lockwood Selector NO HUB DISC mortice locks with varying backsets-30mm, 38mm, 60mm
- 7.6mm spindles

Door width

- Suitable for doors with a thickness from 33 to 110mm
- Spindle is dismountable, for flexibility in field

External Handle

- Freewheeling handle connects to spindle when access is granted

Internal Handle

- Free exit, internal handle always opens door



Sena



Stainless Steel Finish

How to order

S M A - S N A C 4 6 X L 2 V 6 4 8 S I

SMARTair Product	Technology Type	Reader Type	Key Override	Backset
SMA-	SNAC - STANDALONE SNCC - UPDATE ON CARD (UoC) SNZC - WIRELESS	42X - IP55, READER ONLY (MIFARE) 46X - IP55, KEYPAD + READER (MIFARE)	L15 - NO KEY OVERRIDE L2V - WITH KEY OVERRIDE	008 - NO KEY OVERRIDE 648 - CYL OVERRIDE FOR 60MM BACKSET 908 - CYL OVERRIDE FOR 30MM BACKSET

SMARTair™ Knob Cylinder

Function

The SMARTair Knob Cylinder is an easy-to-use, simple-to-install and highly effective electronic cylinder that can be integrated with other SMARTair locking elements – escutcheons, wall readers – in one Access Control system managed by SMARTair Software.

Mechanical features

- Freewheeling knob until an authorized credential is presented
- Motorized clutch activates cylinder cam
- Compatible with Lockwood commercial mortise locks (oval cylinder, 570) & Euro profile locksets

Electronic features

- **Reader module:**
 - 13.56 MHz, MIFARE® or iClass technology (available on request)
 - Contact-less cards/tags
 - Opening distance: 10mm with standard cards
 - Programming device connection located on the front section of the electronic knob
 - Indication light: Red & Green LED
- **Control Unit:**
 - Non-volatile memory
 - Programmable in 3 modes:
 - Normal mode: 1,500 users and 600 audit trail entries
 - Extended mode: 1,000 users and 1,000 audit trail entries
 - High traffic: All users of the installation have access and 1,000 audit trail entries
 - Real-time clock and calendar: 14 time profiles
- **RF module (Wireless):**
 - 915 MHz bi-directional radio frequency technology
 - Serves to send updates from the hub to the control unit, and to send audit trail from the control unit to the hub
 - Encrypted communication
 - Distance between the RF module and the hub: 25m
- **Battery module:**
 - 1 x CR123A Lithium battery
 - Estimated battery life: 40,000 cycles; 2 years in standby (for the wireless model: 1-2 years in standby)
 - Simple battery change; no dismounting required



Specifications

- 85% humidity without condensation
- Temperature range: from 0°C to 70°C
- IP55

Ordering Information

Product Description	Part Number
UPDATE ON CARD, KNOB CYLINDER, EURO 30/30, IP55	SMA-SNCK12X530E30MI
UPDATE ON CARD, KNOB CYLINDER, 570, IP55	SMA-SNCK42X530E10MI

SMARTair™ Wall Reader - Universal Design

(Standalone, Update-On-Card, Wireless)

Function

The SMARTair Wall Reader is a unique and elegant access control solution designed for simple installation and operation. The Wall Reader operates electromagnetic locks, electric strike or electronic locks. All the control elements are on the inside of the door to enhance security.

Applications

Access control for commercial and institutional facilities including offices, hospitals, factories, schools, sports clubs and more.

Features

- Simple installation
- Simple operation
- System management through easy-to-use software
 - Authorizations
 - Time schedules
 - Daylight savings time and holidays
 - Deletion and replacement of lost tags
 - Audit trails
 - Temporary blockage
 - 4-digit code
 - 4 operation modes: Standard; Open; First user; Double user
- Up to 64,000 user cards and up to 64,000 doors per system

Specifications

- 13.56 MHz, MIFARE® or iClass technology (available optionally)
- Contactless cards/tags
- 2-4 cm read/write distance
- Temperature range: -10°C to 80°C



- 12V AC/DC power consumption:
 - Relay not active: 20µA
 - Relay active: 150mA
 - Relay: NO, NC, C
 - Wireless frequency: 915 MHz

Options

- With or without keypad - RFID only
 - RFID and code
 - Code only

How to order

S M A - S N A R 2 P D U S S B

SMARTair Product	Technology Type	Reader Type	Relay Board Type	Finish
SMA-	SNAR2 - STANDALONE SNCR2 - UPDATE ON CARD (UoC) SNZR2 - WIRELESS	P - IP 55, STANDARD WIDTH, READER ONLY K - IP55, READER + KEYPAD PD - IP55, NARROW DESIGN	U - 2 RELAY BOARD RU - 8 RELAY BOARD (ELEVATORS)	SSB - BLACK SSI - STAINLESS STEEL

SMARTair™ Updater

Function

The SMARTair Updater creates a virtual online network system without the drawbacks of a cable network but including all of its benefits.

Updates are sent from the SMARTair software to the Updater (online) and are downloaded to the credential when it's presented to the Updater's wall reader. In turn, the credential then updates the escutcheons, wall readers, cabinet locks and knob cylinders of the system when presented.

The SMARTair Updater allows users to:

- Update credential authorizations without the need to go to the door with the portable programmer
- Register new credentials (users) without the need to go to the door with the portable programmer
- Collect audit trail from credentials
- Manage battery status via the audit trail collected from credentials
- Control doors – the Updater's wall readers can open doors and activate in/out locking

• Features of the Updater

- No limitation on the number of users per door
- Registers and deletes users in real time
- Enables recording and viewing of audit trails in the centralized database
- Provides Offline operation in the event of a communication failure (with no user quantity limit) - The updater returns to online mode as it detects that communication has been re-established.
- Possibility of connecting a second wall reader to control not only the entrance, but also the exit
- Door indications

Reader module

- With or without keypad
 - RFID only
 - RFID and code
 - Code only
- Read/write contactless chip identification technology RFID 13.56 MHz ISO1443A MIFARE classic 1K and 4K and Ultralight or iClass
- Reading distance: 10 mm with standard credentials
- Red and green indication light



Control unit

- Non-volatile memory
- Operating mode:
 - Standard: Default operating mode; authorized credential is required to open
 - First user: The lock goes into passage mode after first access of an authorized credential

Connections

- Power cable
- Ethernet TCP/IP
- PS/2 connector
- VGA connector for a screen (optional)
- Relay (for the wall readers)

Specifications

- Power:
 - Input: 100-240VAC, 50/60Hz, 1A
 - Output: 7.5V, 1.2A
- Humidity: up to 85% without condensation
- Temperature range: from -10°C to 80°C
- IP54

Dimensions

- 300mm x 300mm x 85mm

Ordering Information

Product Description

UPDATE ON CARD, WALL READER/UPDATER

Part Number

SMA-STCR2UPDATERV5

SMARTair™ Cabinet Lock

(UoC only)

Specifications

- Reader module:
 - 13.56 MHz, MIFARE® RFID technology
 - ISO 14443A
 - Contactless cards (MIFARE Classic 1K, 4K and ULTRALIGHT)
 - Reading range: 10 mm with standard credentials
 - LED indications (access authorized, access denied, low battery, etc).
- Control unit:
 - Non-volatile memory
 - Up to 1500 users
 - Up to 1000 events recorded in audit trail
 - Real-time clock and calendar
- Operating conditions:
 - Temperature range (external side): -20°C-70°C
 - Humidity: up to 85% without condensation
 - IP55
- Battery module:
 - Type: 3 x LR03 AAA 1.5V alkaline batteries
 - Battery Life: 20,000 operations or 3 years

Function

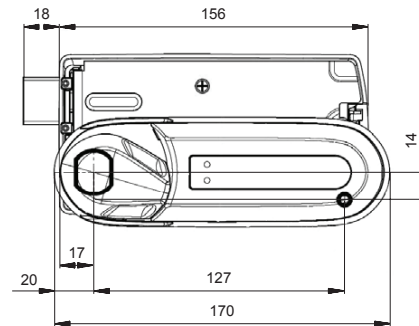
SMARTair Cabinet Lock is an electronic lock for lockers which may be integrated into the SMARTair system.

Features

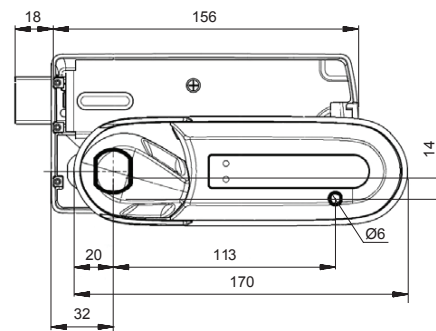
- Simple operation
- System management through easy-to-use software
- 2 Operation modes:
 - *High traffic:*
All lockers are available to all users. Any user can select a free locker and lock it by presenting his/her card.
 - *User assigned:*
Through the SMARTair software, a specific locker can be assigned to one or more users. This mode of operation supports various access control features: authorizations, time schedules, daylight savings time and holidays, cancellation and replacement of lost tags, audit trail, temporary blockage, etc.

Dimensions

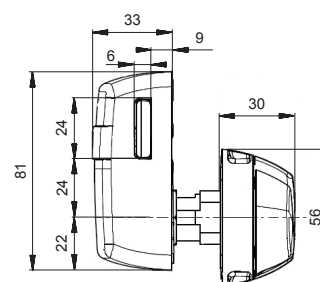
- Door thickness (3 models):
 - 2-12mm
 - 12-25mm
 - 15-25mm
- 'Long' or 'Short' footprint



Right handed door - short



Right handed door - long



Dimensions



How to order

S M A - S N A E 1 2 X 0 2 1 2

SMARTair Product	Technology Type	Door Thickness
SMA-	SNAE12 - STANDALONE SNCE12 - UPDATE ON CARD (UoC)	X0212 - 2-12MM DOOR THICKNESS X1215 - 12-15MM DOOR THICKNESS X1525 - 15-25MM DOOR THICKNESS

SMARTair™ Portable Programmer (P.P)

The SMARTair Portable Programmer allows site management personnel to initialise and update doors with site information as well as download audit trail from devices.

Functionality

- Initialise the devices: The Portable Programmer (P.P.) transfers the locking plan information from the PC to the locks. This includes details of authorised users, calendar, time zones and door states.
- Update the device: Transfer of locking plan updates to the devices
- Emergency opening of devices in case of battery failure
- Testing of the door device information to ensure correct operation
- Audit trail collection
- Update or migration of device firmware

Mechanical Characteristics

- Dimensions: 175 (H) x 92 (A) x 30 (P) mm ·

Electronic Characteristics

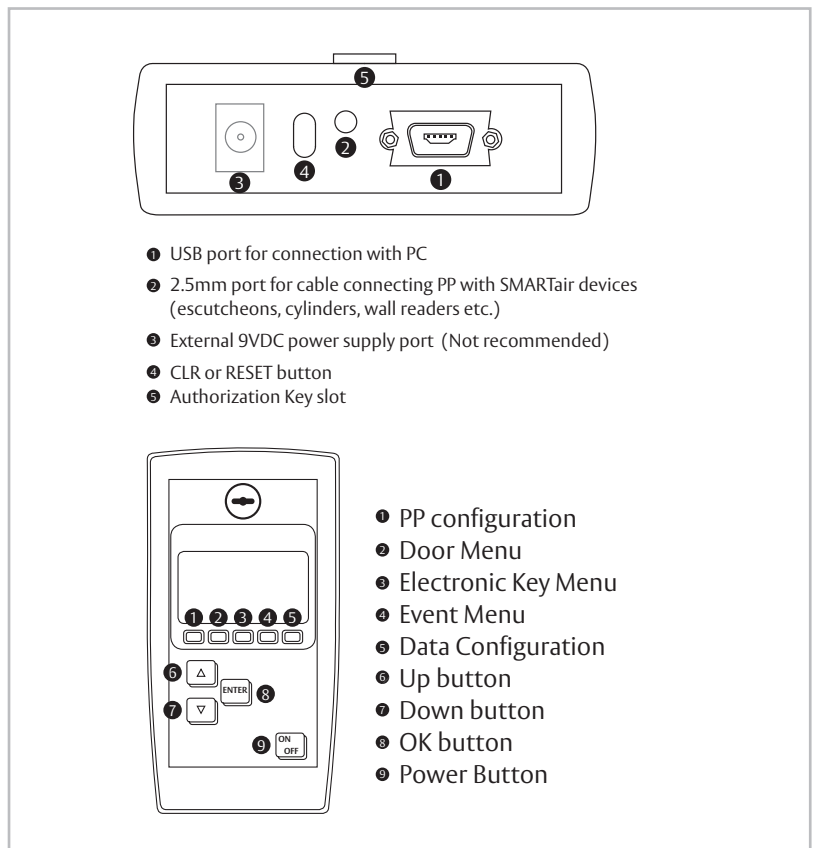
- Membrane Keyboard.
- Power Supply - 9V 6LR61 type non-rechargeable
- Memory 0.5 MB.

Environmental Characteristics

- Operating Temperature and Humidity: 0°C ~ 60°C with relative humidity of 90%.

Ordering Information

Product Description	Part Number
PORTABLE PROGRAMMER	SMA-STCPC



SMARTair™ Encoder

Function

The SMARTair Encoder is a device that encodes and reads user credentials using the SMARTair software.

Specifications

- Reader module:
 - 13.56 MHz, MIFARE® RFID technology
 - ISO 14443A
 - Contactless cards
 - Reading range: 10 mm with standard credentials
 - LED indications (access authorized, access denied etc).
- Power cable – supplied with the encoder:
 - Input: 100-240V 50/60 Hz 1.0A
 - Output: 7.5V 1.2A
- USB connection to the PC – supplied with the encoder
- Red & green indications

Credentials

- Read/write contactless chip identification technology RFID 13.56 MHz - MIFARE Classic 1K, 4K, and ULTRALIGHT
 - iClass 2k/2, 16k/2, 16k/16, 32k
- Credential type:
 - Card
 - Tag
 - Transponder sticker



Ordering Information

Product Description	Part Number
SMARTAIR CARD ENCODER	SMA-STCED3

SMARTair™ Software & License

Function

SMARTair Software (also called TS1000) enables users to manage the SMARTair system according to the license issued and the associated Authorization Key.

The SMARTair Software license includes:

- A USB memory device that contains:
 - SMARTair Software installation file
 - Site data (the license)
 - Technical manuals
 - Authorization key programmed with the system code

The easy-to-use SMARTair Software manages all types of SMARTair products – escutcheons, wall readers, cabinet locks, knob cylinders and others – simultaneously.

Software requirements

- PC with Pentium 4 processor or higher
- 1 GB of free RAM
- 1 GB or free disk space
- 32-bit or 64-bit Microsoft Windows Operating System supporting services (Windows 95, Windows 98 and Windows ME are not supported)

Site data

- The 'site data' is supplied with the software and includes the license for the system and a unique 8-figure alphanumeric system code
- All information regarding the system (user list, door list, authorization matrix, time profiles, etc) is kept in the site data file

Authorization Key

- The Authorization Key enhances security for the SMARTair system
- Each Authorization Key contains the system's unique corresponding system code
- In order for the Portable Programmer to function, the Authorization Key must be inserted.

Types of licenses

- For the different products (upgrades available):
 - UoC
 - Wireless
- According to the number of doors in the system (upgrade available):
 - Up to 10 doors
 - Up to 30 doors



Ordering Information

Product Description	Part Number
UoC MANAGEMENT KIT, 10 DOORS	SMA-SNCKITUOC10
UoC MANAGEMENT KIT, 30 DOORS	SMA-SNCKITUOC30
UoC MANAGEMENT KIT, 75 DOORS	SMA-SNCKITUOC75
UoC MANAGEMENT KIT, UNLIMITED DOORS	SMA-SNCKITUOC
WIRELESS MANAGEMENT KIT, 10 DOORS	SMA-SNCKITWIR10
WIRELESS MANAGEMENT KIT, 30 DOORS	SMA-SNCKITWIR30
WIRELESS MANAGEMENT KIT, 75 DOORS	SMA-SNCKITWIR75
WIRELESS MANAGEMENT KIT, UNLIMITED DOORS	SMA-SNCKITWIR

- Up to 75 doors
- More than 75 doors

SMARTair Management kit
Contents

- a) TS1000 Software License (with Authorising Key)
- b) 1 x Portable Programmer
- c) 1 x Card Encoder
- d) 50 x MIFARE Classic User Cards
- e) Associated cables

SMARTair™ Standalone Management Tools

Function

SMARTair™ Standalone is the basic version of SMARTair™ and manages access to a single door. Requiring no software or programming device, it relies on a friendly programming card to authorize or cancel electronic access cards and/or PINs.

The Standalone Management Tools include:

- Programming Card - used to program the SMARTair™ escutcheon, wall reader or knob cylinder
- Emergency cable - used to allow the opening of a door when the batteries are flat

Programming Card features:

- Add credential
- Cancel credential
- Cancel all credentials
- Passage mode control
- Shadow Card (to delete a lost credential)

Programming Card options:

- With Shadow Card feature
- Without Shadow Card features

Emergency Cable features:

- Used to energize the lock in order to open the door when the escutcheon's batteries are empty
- Requires 3 x AAA batteries



Ordering Information

Product Description	Part Number
STANDALONE, STANDARD PROGRAMMING CARD	SMA-SNACLICSTA
STANDALONE, SHADOW PROGRAMMING CARD	SMA-SNACLICSTASDW
STANDALONE SHADOW MANAGEMENT KIT Contents	
a) SMARTair Shadow Programming Card	SMA-SNACKITSTASDW
b) 24 x MIFARE Classic User Cards	
c) 1 x Emergency Jumpstart Battery Kit	

Openow™ from SMARTair® combines access control technology with mobile intelligence

Openow™ is the intelligent mobile solution for access control. Make your workplace mobile-ready with SMARTair®

With Openow™, you can send virtual keys to any smartphone, so users open doors securely and conveniently.

Site users download the App, available for IOS and Android, and complete our fast, secure email registration. Right away you can send them virtual keys - so they open doors with their mobile phone, without jeopardizing the security of your buildings.

Tap a SMARTair® lock with your phone carrying a valid virtual key, and the door unlocks.

Your business takes a step into the future: upgraded, mobile-ready security and more convenience for everyone.



Openow™ makes your SMARTair® access control system mobile

- SMARTair® is a powerful access control system, simple to install, configure, administer and maintain. It adapts to any size of building and perfectly integrates with your existing door security.
- And now, with the Openow™ solution from SMARTair®, you can convert your smartphone into a key.
- Users can conveniently open doors with their smartphone while it provides facility managers with great flexibility in handling virtual keys.
- Our Openow™ mobile solution is suitable for both new and existing SMARTair® installations, as only few steps are required to upgrade your site to make it mobile ready.



The system includes:

Whatever your premises and needs, SMARTair® has the right solution:

Software

The SMARTair® TS1000 administration software is intuitive and can be accessed from any device (PC, tablet or mobile phone) with a standard browser.

Credentials

Openow, the App for smartphones, is now available. Mobile solution can be combined with other existing credentials (cards, tags) in the same installation.

Knob cylinders

For management and admin doors, knob cylinders are the right choice.

Escutcheons

Robust, slim design escutcheons, ideal to equip any type of exterior or interior door or access point (wooden doors, aluminium-profile doors, fire resistant doors and escape routes).

Wall readers

For entrance doors, car parks, lifts and common areas with high traffic flows, wall readers are the best option.

Ordering Information

Product Description	Part Number
ANNUAL FEE FOR LICENSE UPGRADE TO SMARTAIR OPENOW 10 DOORS	SMA-STCUPOPENOW10
ANNUAL FEE FOR LICENSE UPGRADE TO SMARTAIR OPENOW 30 DOORS	SMA-STCUPOPENOW30
ANNUAL FEE FOR LICENSE UPGRADE TO SMARTAIR OPENOW 75 DOORS	SMA-STCUPOPENOW75
ANNUAL FEE FOR LICENSE UPGRADE TO SMARTAIR OPENOW UNLIMITED DOORS	SMA-STCUPOPENOW



UOC ESCUTCHEON OPENOW UPGRADE KIT
Contents
a) Top-cut Internal metal plate
b) Plastic cap
c) Bluetooth RF Wireless Module

SMA-SB4INTS001



Send keys



Revoke keys



Update keys

**So simple, so fast,
so intuitive with Openow™**

Functionality for security managers; Security managers instantly send, revoke or update Openow™ virtual keys directly from the TS1000 software or web browser. Virtual keys are securely deployed over-the-air to anywhere in the world.

Secure data transmission for all communications is ensured by these industry protocols:

- Encrypted https secure connection between the TS1000 software and every user's smartphone.
- AES128 with diversified keys encryption for all communications between smartphone and door devices.





Multiple keys



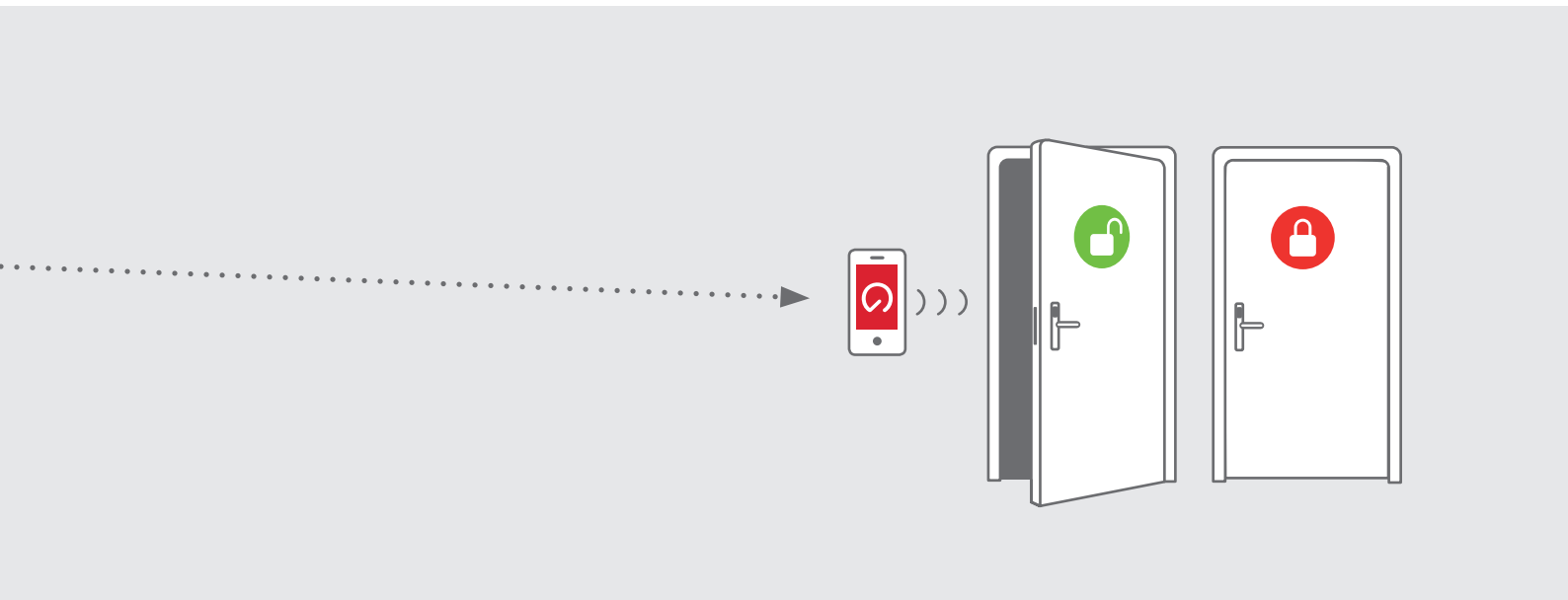
Door opening



No physical key

Functionality for users

For users it's easy to take advantage of this new mobile access solution. Just download the app and receive your key immediately, regardless of where you are. It allows you to hold as many virtual keys as needed. It does not matter how far you go. This feature is especially designed for professionals working in different locations.





A leap forward for convenience in every business

Openow™ is the perfect solution for facilities with people on the move or a high volume of visitors and subcontractors. It is built for businesses where third-party contractors are always on-site, and companies whose staff travel regularly to remote locations.

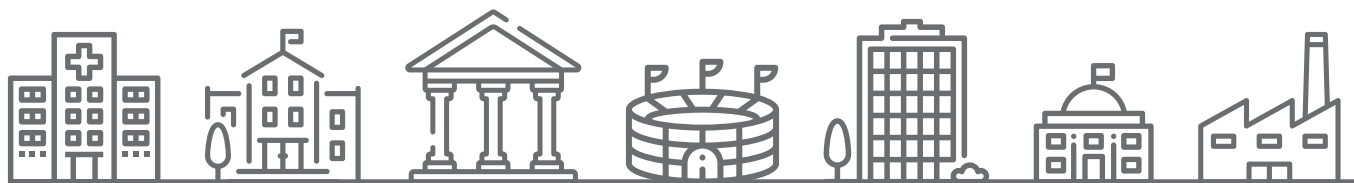
Health

- Provide doctors, nurses, medical staff, contractors, temporary personnel and service companies with virtual keys, without creating resource bottlenecks around a single issuing point.
- Users only enter specific areas to which they are granted access (entrance hall, pharmacy, laboratory or laundry) with no need to carry any physical credential but their smartphone.
- Instantly cancel virtual keys without waiting for a user to return their card, ensuring your premises remain secure.

Queues at the reception desk, temporary access for cleaning staff... The key to solving these issues in hospitals, universities, museums, offices, multinationals, co-working spaces and ministries is Openow™ from SMARTair®.

Education

- Students and teaching staff enjoy the benefits and convenience of mobile technology, with keys on their smartphones and no need to collect them from reception or admin offices.
- Openow works with all wireless compatible SMARTair® devices, enabling your smartphone to open the main entrance door, the library or the teachers' offices.
- When a virtual key is revoked, it automatically disappears from the app, ensuring ongoing security and site integrity.



Offices and businesses

- Enhance the experience: visitors receive a virtual key straight to their phone and your workplace is mobile-ready.
- Access points to areas with high footfall – such as collaborative spaces or co-working areas – no longer need a 24/7 reception desk to hand credentials to visitors.
- With Openow™, you can send virtual keys to visitors ahead of arrival, and schedule them to activate at the relevant time.

Public institutions

- For the hundreds of visitors who arrive every day and move around the site, Openow™ from SMARTair® is the mobile-ready solution you have been waiting for.
- Convenient for employees: store multiple virtual keys on your mobile phone, each with individually programmed permissions for different sites.
- Time-saving for visitors: no more queues at reception, no more waiting for physical keys or the smart-card terminal, because your mobile phone is your key.

SMARTair™ Accessories



Ordering Information

Product Description	Part Number
ESCUTCHEON READER - SPARE PART	SMA-SNCC12READER



Ordering Information

Product Description	Part Number
SMARTAIR WIRELESS RF MODULE 915 MHZ	SMA-SLCCRFV3



Ordering Information

Product Description	Part Number
SINGLE DOOR CONTROLLER - PCB ONLY	SMA-STCRPLACA2



Ordering Information

Product Description	Part Number
SMARTAIR WIRELESS HUB, V3	SMA-WIRELESSHUB3



Ordering Information

Product Description	Part Number
SMARTAIR RF SIGNAL MEASUREMENT TOOL Contents: a) Wireless Hub b) Signal Measurement Tool (Escutcheon shaped)	SMA-SNZWIRTESTER



Ordering Information

Product Description	Part Number
SMARTAIR CABINET LOCKER, REMOVAL TOOL	SMA-STCETOOL
EMERGENCY BATTERY KIT	SMA-STACKITEMERG



Ordering Information

Product Description	Part Number
SMARTair SPINDLE KIT, SUITABLE FOR DOOR THICKNESS	
30-38MM	SMA-STCCSPIAKIT3038
38-44MM (supplied as default in all escutcheon boxes)	SMA-STCCSPIAKIT3844
44-50MM	SMA-STCCSPIAKIT4450
50-56MM	SMA-STCCSPIAKIT5056
56-62MM	SMA-STCCSPIAKIT5662
62-68MM	SMA-STCCSPIAKIT6268
68-74MM	SMA-STCCSPIAKIT6874
74-80MM	SMA-STCCSPIAKIT7480
80-86MM	SMA-STCCSPIAKIT8086
86-92MM	SMA-STCCSPIAKIT8692
92-98MM	SMA-STCCSPIAKIT9298
98-104MM	SMA-STCCSPIAKIT9804
104-110MM	SMA-STCCSPIAKIT0410



Ordering Information

Product Description	Part Number
FIRMWARE UPGRADE KEY - 10 UPGRADES	SMA-STCLUPSTAUOC10
FIRMWARE UPGRADE KEY - 20 UPGRADES	SMA-STCLUPSTAUOC20
FIRMWARE UPGRADE KEY - 30 UPGRADES	SMA-STCLUPSTAUOC30



Ordering Information

Product Description	Part Number
MIFARE CLASSIC USER CARDS - 4K	SMA-SC002
MIFARE CLASSIC KEYFOB - 1K	SMA-STCLLAS2N
MIFARE CLASSIC KEYFOB CUSTOM ENGRAVED	SMA-KFENGRAVED
MIFARE PROXIMITY STICKER - 1K	SMA-PROXDOT



ASSA ABLOY