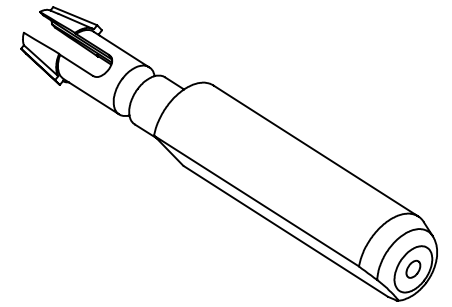


# P33096 - ROD TIP



ISOMETRIC VIEW

