

## McKinney Concealed Hinges - MK80 Series



### Available Finishes:

- Satin Chrome (PN# MK67004)
- Matte Black (PN# MK67005)
- Additional finishes on request

### Specifications

- Model number: MK80 (No covers)
- Base material: Zinc alloy
- Overall hinge length: 111.5mm (4.39")
- Hinge width: 29mm (1.14")
- Non-handed
- Opening angle: 180 degrees
- 3-Dimensional adjustability:
  - Height +/- 2 mm; side +/- 2 mm; and depth +/- 1 mm
- For wood or hollow metal doors with wood or metal frames

### Overview

Refined and minimal, the McKinney Concealed Hinges feature 3-Dimension adjustability for easy installation and door alteration.

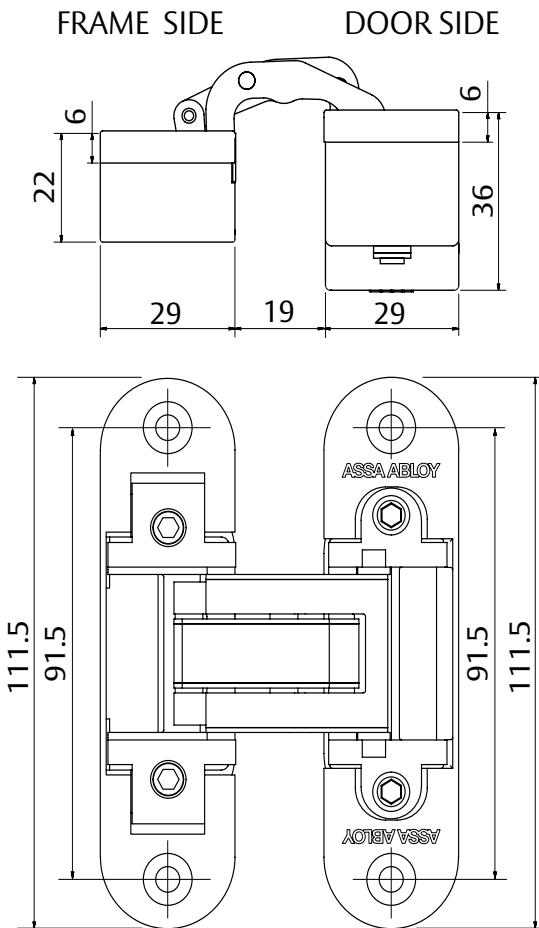
### Hinge Capacity

Door thickness minimum: 1-3/8"

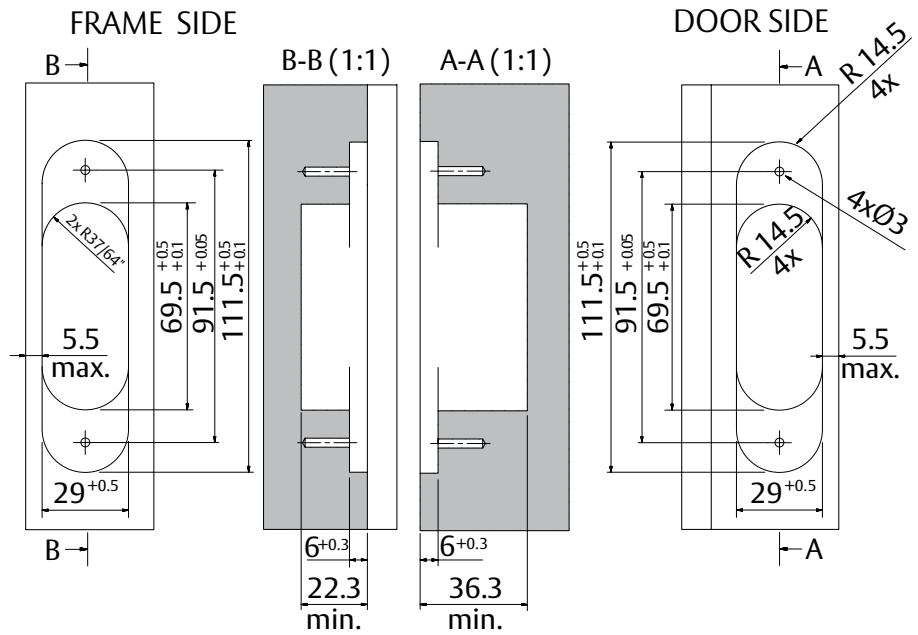
Number of Hinges	Door Width			
	32"	36"	42"	48"
2	185 lbs	176 lbs	143 lbs	132 lbs
3	211 lbs	198 lbs	160 lbs	149 lbs
4	233 lbs	220 lbs	171 lbs	158 lbs

## McKinney Concealed Hinges - MK80 Series

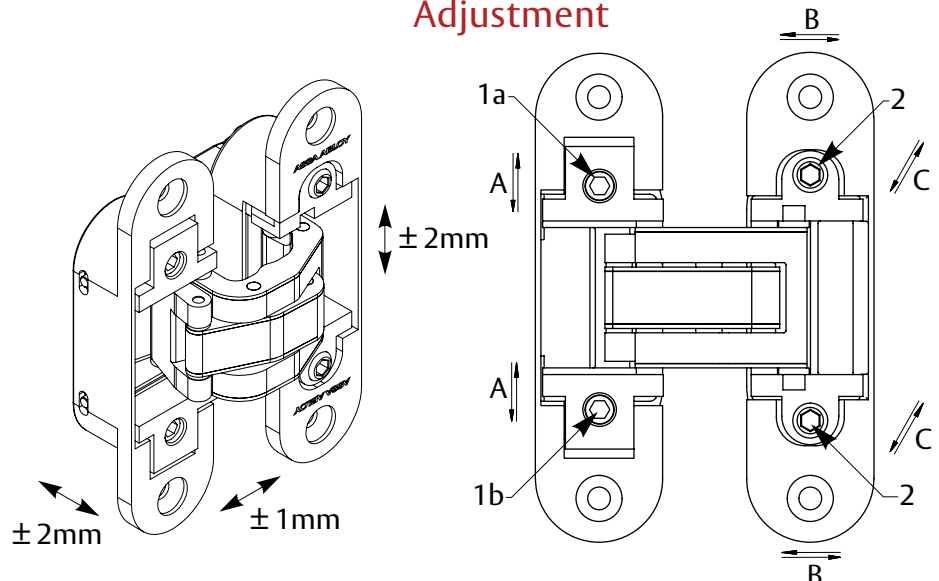
### Hinge Dimensions (millimeters)



### Milling Dimensions (millimeters)



### Adjustment



ASSA ABLOY  
225 Episcopal Road  
Berlin, CT 06037  
Phone: (800) 346-7707 • Fax: (800) 541-1073  
www.assaabloydooraccessories.us

McKinney is a brand associated with ASSA ABLOY Accessories and Door Controls Group, Inc., an ASSA ABLOY Group company. Copyright © 2018, ASSA ABLOY Accessories and Door Controls Group, Inc. All rights reserved. Reproduction in whole or in part without the express written permission of ASSA ABLOY Accessories and Door Controls Group, Inc. is prohibited.