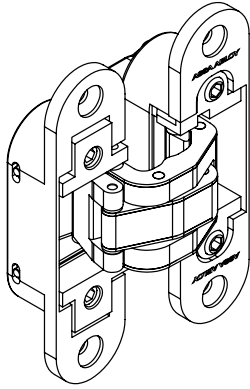


Architectural Door Accessories

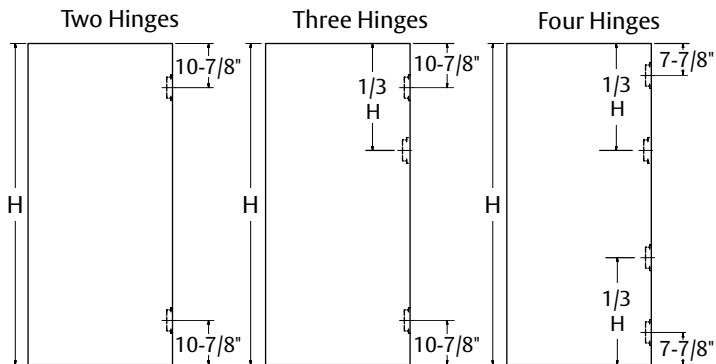
McKinney 80 Concealed Hinge 3D Adjustable

ASSA ABLOY

The global leader in
door opening solutions



Hinge Arrangement



"H" Min. = 80"

Load Capacity

See chart for minimum number of hinges required based on correct adjustment (all hinges carrying load), door width and door weight.

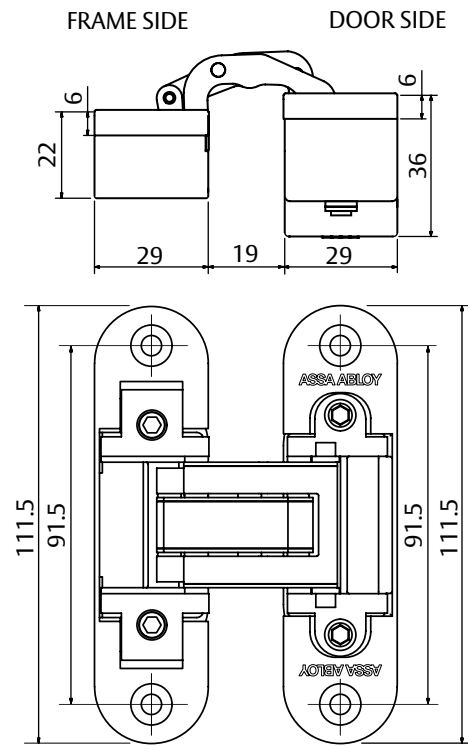
Door height minimum is 80".

Door thickness minimum is 1-3/8".

Note: Hinge spacing does not effect load capacity. The first door should always be checked before preparing more doors, if any.

Hinges	Door Width			
	32"	36"	42"	48"
2	185 lb	176 lb	143 lb	132 lb
3	211 lb	198 lb	160 lb	149 lb
4	233 lb	220 lb	171 lb	158 lb

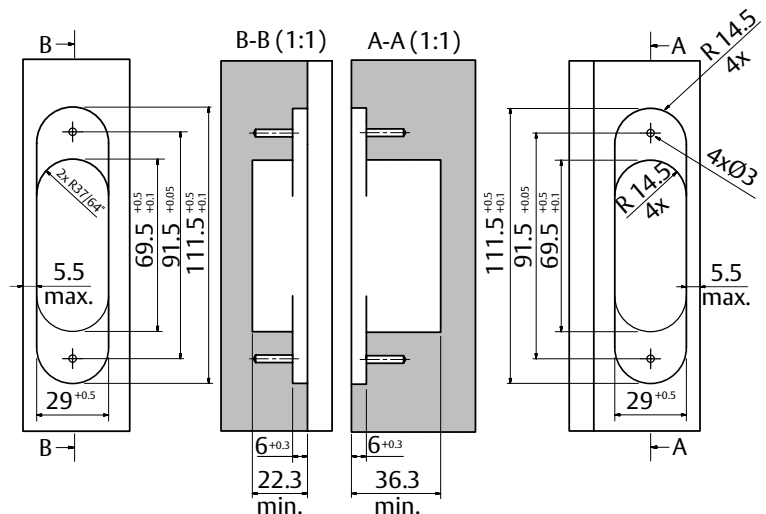
Hinge Dimensions (millimeters)



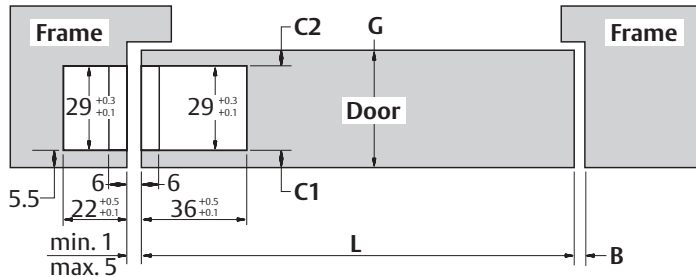
Milling Dimensions (millimeters)

Frame Side

Door Side



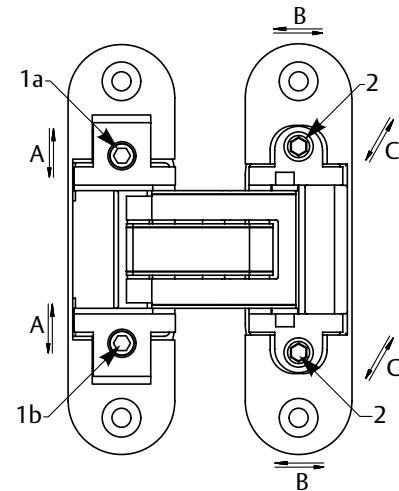
Hinge Position In Relation to Required Door and Frame Dimensions (millimeter)



"G" Thickness of Door	C1 (mm)	C2 (mm)	"L" Width of Door			
			32"	36"	42"	48"
			"B" Minimum Gap (mm)			
1-3/8"	3	3	2	2	2	2
1-3/4"	5.5	10	2	2	2	2
2"	5.5	16.3	3	3	3	3
2-1/4"	5.5	22.7	4	4	3	3

Installation

1. Insert each hinge section marked "door" into door sockets created in milling. Hinges should be flush against door edge surface.
2. Secure hinge sections with two (2) 35mm PHWS screws provided in screw packet.
3. Set door on frame by inserting each loose hinge section into socket created in milling.
4. Secure each hinge with two (2) 35mm PHWS screws provided in screw packet.
5. Make adjustments.



Adjustment

Adjustments to hinge are made with a 4mm Allen wrench. All hinges should carry load for proper installation.

- A. Vertical Adjustment (range ± 2mm):**
Make sure that top adjustment screw (1a) is even with front surface of hinge. If it is not, unscrew it for this position. Adjust hinge by turning bottom adjustment screw (1b). After adjusted, tighten top adjustment screw (1a).
- B. Depth Adjustment (Range ± 1mm)**
- C. Horizontal Adjustment (Range ± 2mm)**
Depth adjustment and horizontal adjustment take place simultaneously. Adjust hinge by alternately turning both screws (2).

