

The global leader in
door opening solutions

McKinney Concealed Hinges - MK80A Series



Available Finishes:

- Satin Chrome (PN# MK67006)
- Matte Black (PN# MK67007)
- Additional finishes on request

Specifications

- Model number: MK80A (Covers included)
- Base material: Zinc alloy
- Overall hinge length: 111.5mm (4.39")
- Hinge width: 29mm (1.14")
- Non-handed
- Opening angle: 180 degrees
- 3-Dimensional adjustability:
 - Height +/- 2 mm; side +/- 2 mm; and depth +/- 1 mm
- For wood or hollow metal doors with wood or metal frames

Overview

Refined and minimal, the McKinney Concealed Hinges feature 3-Dimension adjustability for easy installation and door alteration. The snap-on covers conceal screws for a clean aesthetic.

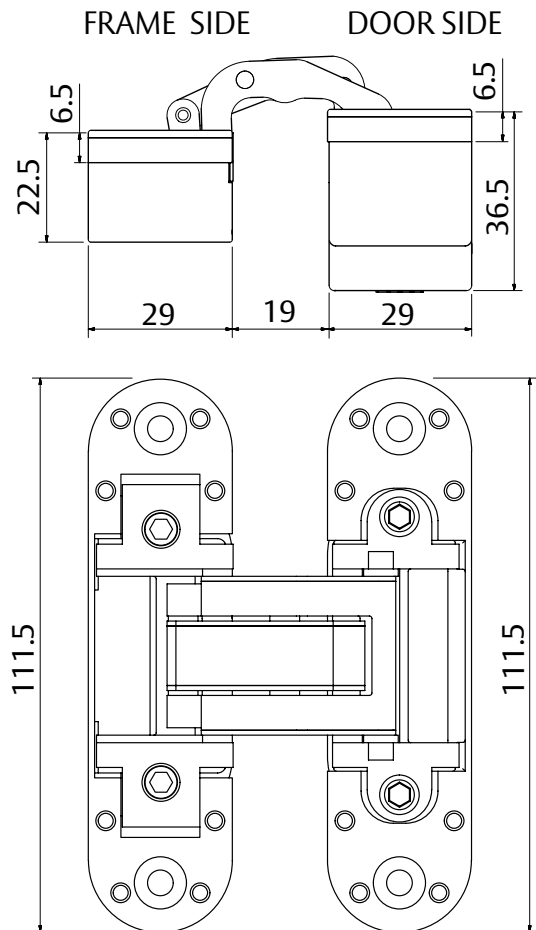
Hinge Capacity

Door thickness minimum: 1-3/8"

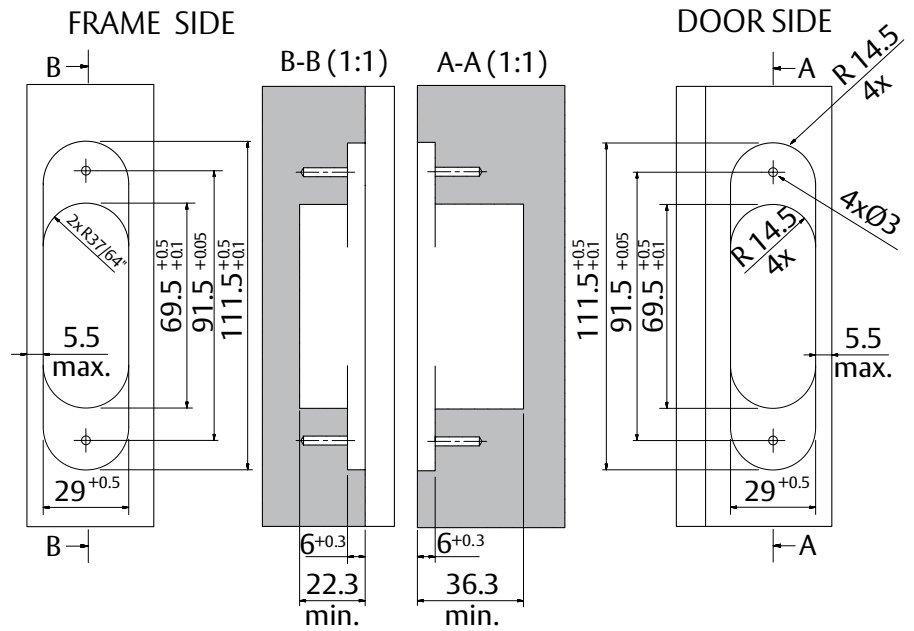
Number of Hinges	Door Width			
	32"	36"	42"	48"
2	185 lbs	176 lbs	143 lbs	132 lbs
3	211 lbs	198 lbs	160 lbs	149 lbs
4	233 lbs	220 lbs	171 lbs	158 lbs

McKinney Concealed Hinges - MK80A Series

Hinge Dimensions (millimeters)



Milling Dimensions (millimeters)



Adjustment

