

The global leader in  
door opening solutions

## McKinney Concealed Hinges - MK100 Series



### Available Finishes:

- Satin Chrome (PN# MK67000)
- Matte Black (PN# MK67001)
- Additional finishes on request

### Specifications

- Model number: MK100 (Covers included)
- Base material: Zinc alloy
- Overall hinge length: 160 mm (6.30")
- Hinge width: 28mm (1.10")
- Non-handed
- Opening angle: 180 degrees
- 3-Dimensional adjustability:
  - Height +/- 2.5 mm; side +/- 2.5 mm; and depth +/- 1 mm
- For wood or hollow metal doors with wood or metal frames

### Overview

Refined and minimal, the McKinney Concealed Hinges feature 3-Dimension adjustability for easy installation and door alteration. The snap-on covers conceal screws for a clean aesthetic.

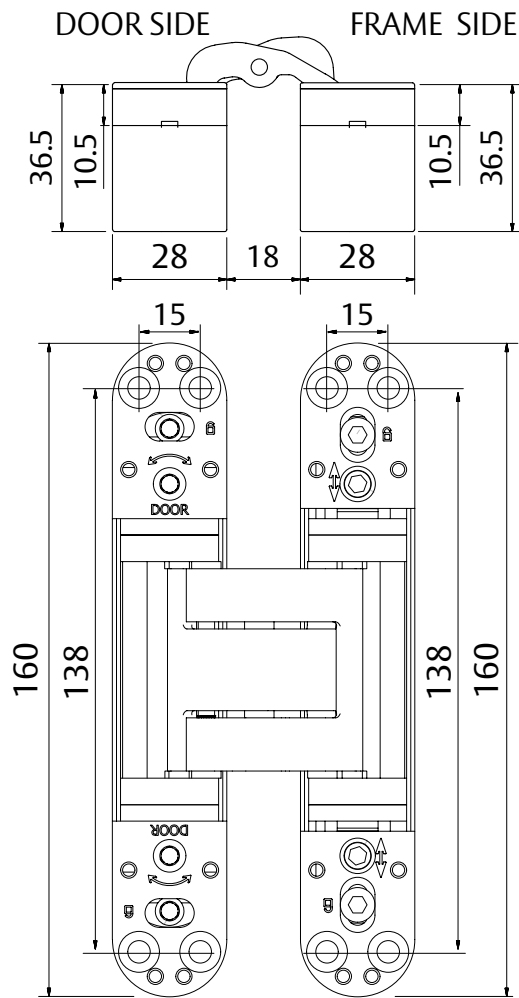
### Hinge Capacity

Door thickness minimum: 1-3/8"

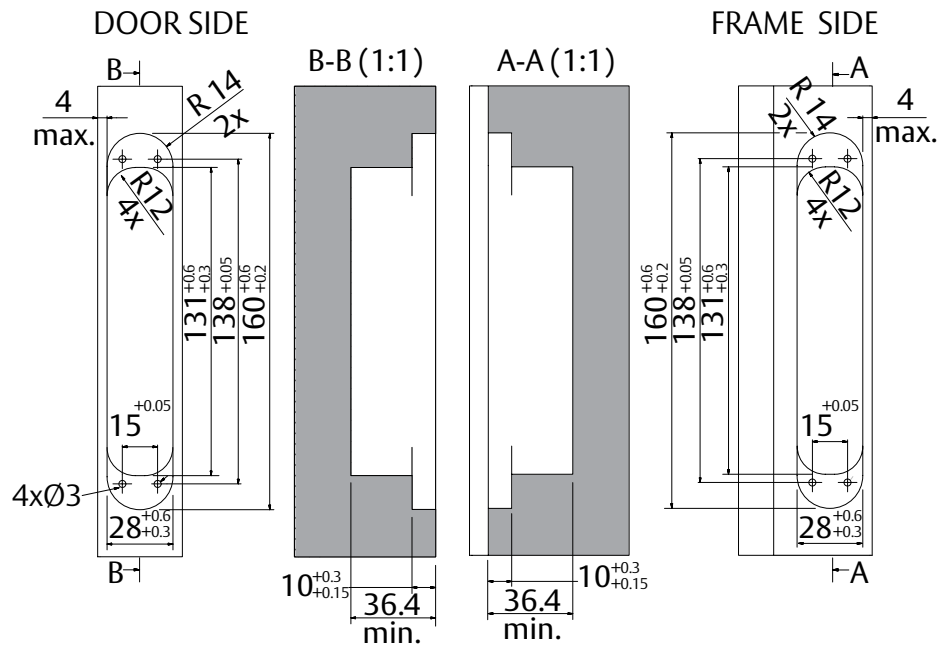
| Number of Hinges | Door Width |         |         |         |
|------------------|------------|---------|---------|---------|
|                  | 32"        | 36"     | 42"     | 48"     |
| 2                | 224 lbs    | 220 lbs | 180 lbs | 165 lbs |
| 3                | 253 lbs    | 246 lbs | 202 lbs | 185 lbs |
| 4                | 282 lbs    | 275 lbs | 216 lbs | 198 lbs |

## McKinney Concealed Hinges - MK100 Series

### Hinge Dimensions (millimeters)



### Milling Dimensions (millimeters)



### Adjustment

