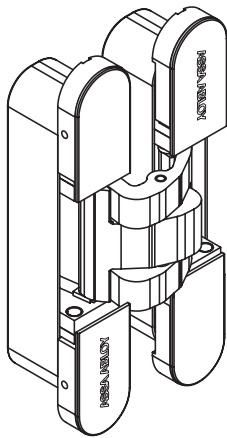


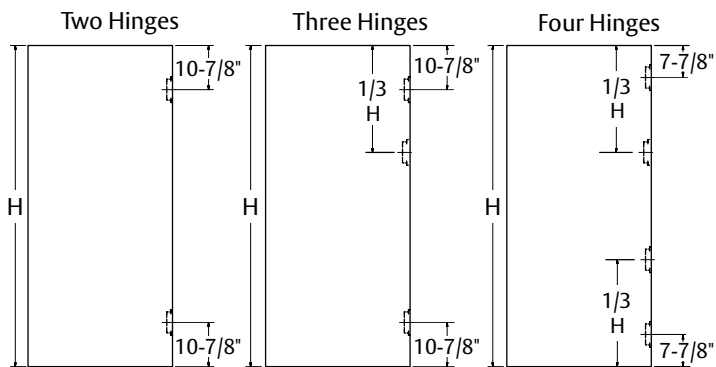
# Architectural Door Accessories

## McKinney 100 Concealed Hinge 3D Adjustable

The global leader in  
door opening solutions



### Hinge Arrangement



"H" Min. = 80"

### Load Capacity

See chart for minimum number of hinges required based on correct adjustment (all hinges carrying load), door width and door weight.

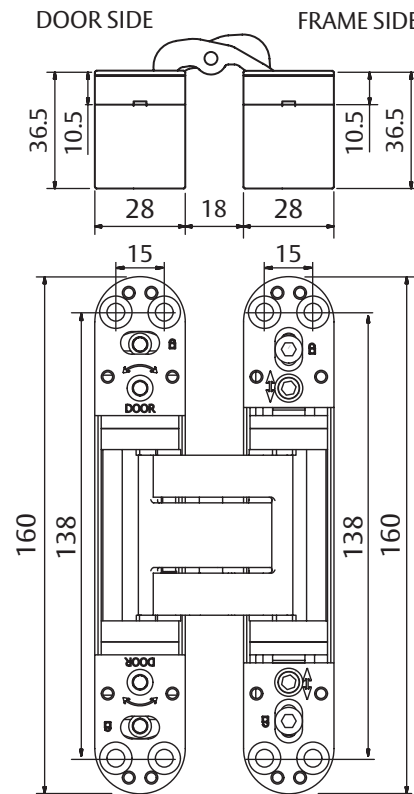
Door height minimum is 80".

Door thickness minimum is 1-3/8".

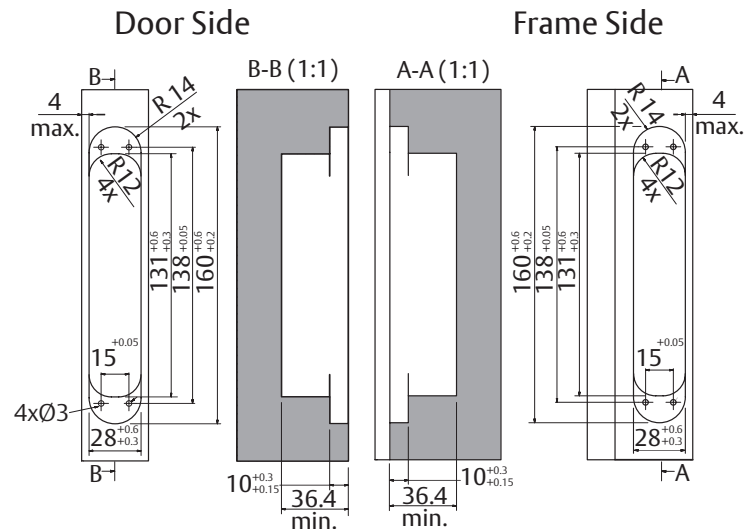
Note: Hinge spacing does not effect load capacity. The first door should always be checked before preparing more doors, if any.

Hinges	Door Width			
	32"	36"	42"	48"
2	224 lb	220 lb	180 lb	165 lb
3	253 lb	246 lb	202 lb	185 lb
4	282 lb	275 lb	216 lb	198 lb

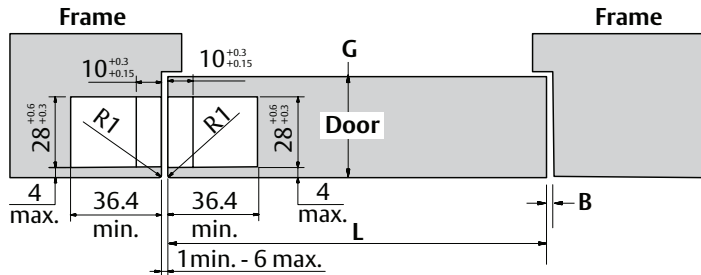
### Hinge Dimensions (millimeters)



### Milling Dimensions (millimeters)



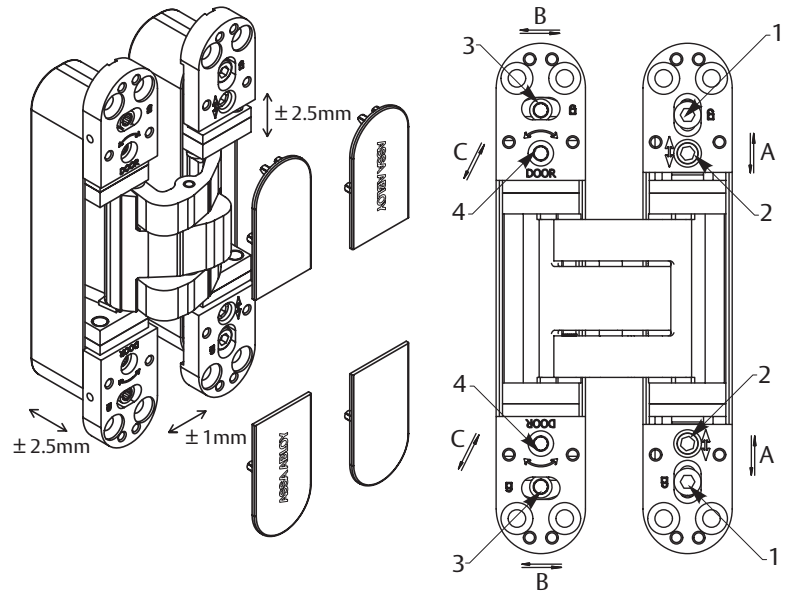
Hinge Position In Relation to Required Door and Frame Dimensions (millimeter)



	"G" Thickness of Door	"L" Width of Door			
		32"	36"	42"	48"
Min Slot "B" (mm)	1-3/8"	2	2	2	2
	1-3/4"	2	2	2	2
	2"	3	3	3	3
	2-1/4"	4	4	3	3

**Installation**

1. Insert each hinge section marked "door" into door sockets created in milling. Hinges should be flush against door edge surface.
2. Secure hinge sections with four (4) 35mm PHWS screws provided in screw packet.
3. Set door on frame by inserting each loose hinge section into socket created in milling.
4. Secure each hinge with four (4) 35mm PHWS screws provided in screw packet.
5. Make adjustments.
6. Insert front hinge covers to hide screws. Note: Removal of covers should be done carefully.



**Adjustment**

Adjustments to hinge are made with a 4mm Allen wrench. All hinges should carry load for proper installation.

- A. Vertical Adjustment (range ± 2.5mm):**  
Loosen both blocking screws (1) and make sure that top adjustment screw (2) is even with front surface of hinge. If it is not, rotate screw until position is correct. Adjust hinge by turning bottom adjustment screw (2). Tighten both blocking screws (1).
- B. Depth Adjustment (Range ± 1mm)**
- C. Horizontal Adjustment (Range ± 2.5mm)**  
Depth adjustment and horizontal adjustment take place simultaneously. Loosen both blocking screws (3) and adjust hinge by alternately turning both screws (4). After adjusting, tighten both blocking screws (3).