

ML51-KP DIGITAL KEYPAD

Installation Instructions - ML51-KP

Programming locks is recommended prior to installation. Refer to Operating Instructions.

Package Contents:

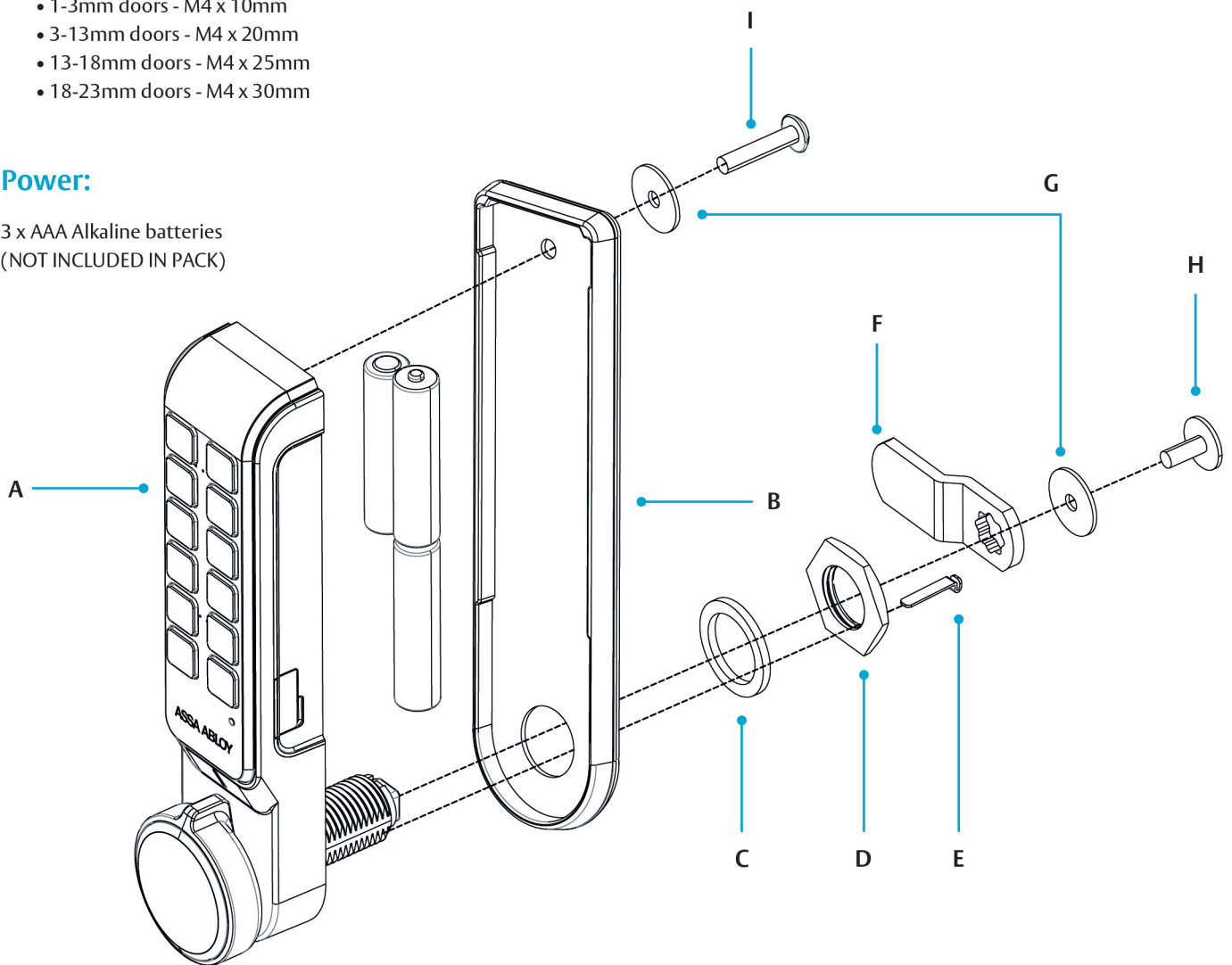
- A. 1 x ML51-KP lock
- B. 1 x Rubber gasket
- C. 1 x Rubber ring washer
- D. 1 x M16 nut
- E. 1 x Cam governor (limits cam to 90°)
- F. 2 x Cams (1 flat, 1 offset)
- G. 2 x M4 washer
- H. 1 x Cam fixing bolt - M4 x 10mm
- I. 4 x Upper lock fixing bolt options to suit door thicknesses;
 - 1-3mm doors - M4 x 10mm
 - 3-13mm doors - M4 x 20mm
 - 13-18mm doors - M4 x 25mm
 - 18-23mm doors - M4 x 30mm

⚠ Caution:

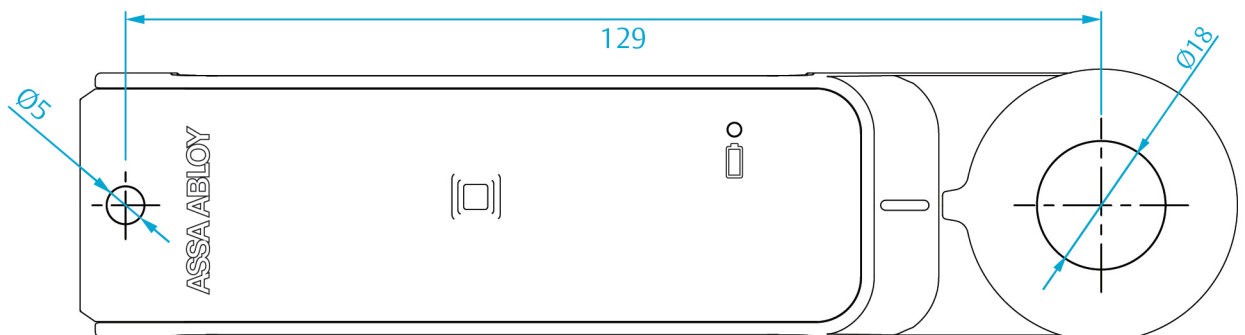
- Use Alkaline AAA batteries ONLY
(Using other battery types may cause damage)
- Dispose of used batteries according to the batteries instructions

Power:

3 x AAA Alkaline batteries
(NOT INCLUDED IN PACK)



Installation Template

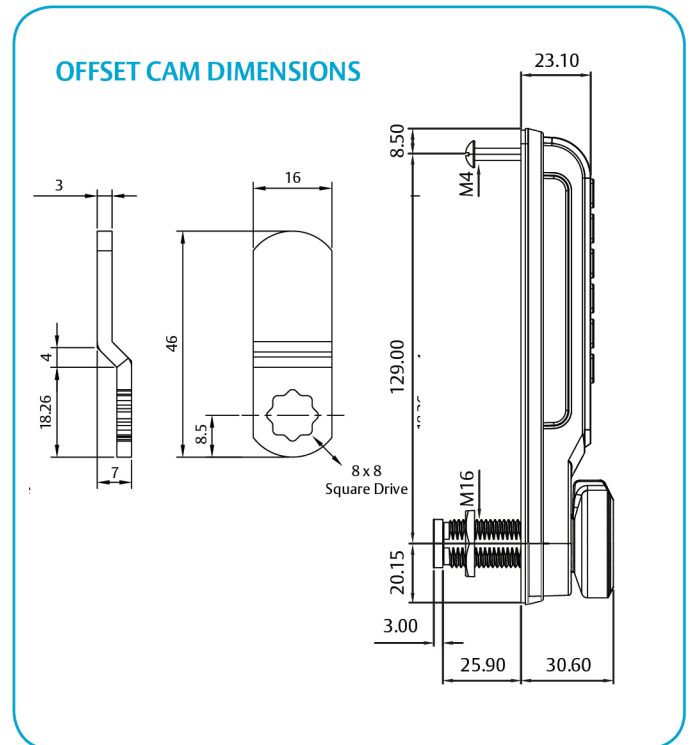
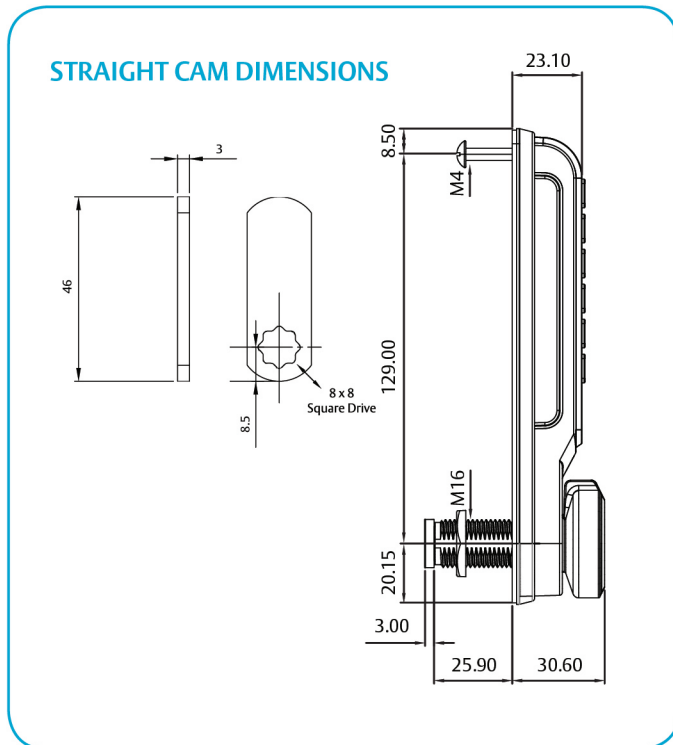


Installation:

1. Position the template on the door in the required vertical or horizontal position

Position Notes:

- Ensure the lock position allows the cam to move freely between the locked and unlocked position
- Ensure the chosen cam (flat or offset) will securely fasten the door in the locked position



2. Drill the upper lock fixing bolt hole with a 5mm drill bit
3. Drill the cam lock hole with a 18mm drill bit
4. Install 3 x alkaline AAA lock batteries (not included in pack)
5. Fit rubber gasket (B) to the lock (A)
6. Choose the correct upper M4 bolt (I) for the door thickness. Position the lock to the door and fix the upper lock bolt with M4 washer (G)
7. Install the rubber ring washer (C)
8. Fix lock with M16 nut (D)

9. This step is only required if you need to limit the cam motion to 90°. Insert the cam governor (E) into one of the two holes at the end of the cam lock. Choose the hole that will limit the cam in the direction that suits your application
10. Install cam (F), M4 washer (G) and M4 x 10mm cam fixing bolt (H)
11. Test lock securely locks door
12. Proceed with operating instructions

Note: Test lock with the door open

ML51-KP DIGITAL KEYPAD

Operating Instructions - ML51-KP

Preparation Note: Programming locks is best done prior to installation.

PIN Codes

Master PIN Code - This is used to unlock, set and change User PIN Codes. When using the Master PIN Code, any set User PIN Code will be deleted.

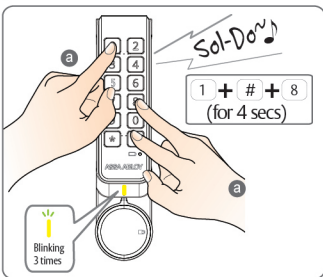
User PIN Code - This is used for unlocking locks. In Public Mode it will also lock locks.

Locks are preprogrammed with Master PIN Code 3526 and User PIN Code 0000.

Sound On / Off

The melody sound can be turned on or off.

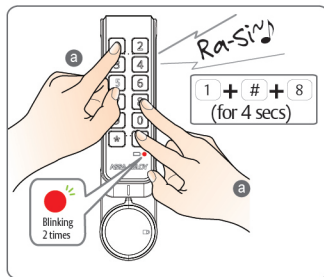
Turn on the sound



Note: Delete any existing User PIN Code before setting Sound Mode. See section "How to Use Master PIN Code".

- a Press 1, # and 8 buttons simultaneously for 4 seconds
 - Yellow LED blinks 3 times with melody sound "Sol-Do~"

Turn off the sound



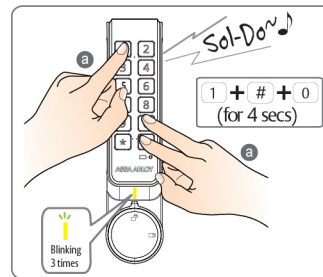
- a Press 1, # and 8 buttons simultaneously for 4 seconds
 - Red LED blinks 2 times with melody sound "Ra-Si~"

Operating Modes - How to Switch Modes

The ML51-KP has two operating modes, by default the lock is factory set to **Private Mode**.

- In **Private Mode** a permanent User PIN Code can be set. This is best for individually allocated lockers. Locks in Private Mode will automatically lock after 4 seconds.
- In **Public Mode** a temporary User PIN is set. This is best for shared lockers. A lock will only lock after a temporary User PIN Code is set.

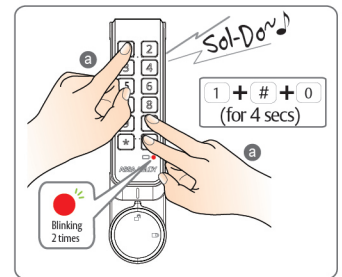
Private Mode



Note: Delete any existing User PIN Code before setting Mode. See section "How to Use Master PIN Code".

- a Press 1, # and 0 buttons simultaneously for 4 seconds
 - Yellow LED blinks 3 times with melody sound "Sol-Do~"

Public Mode



- a Press 1, # and 0 buttons simultaneously for 4 seconds
 - Red LED blinks 2 times with melody sound "Ra-Si~"

How to Change the Master PIN Code

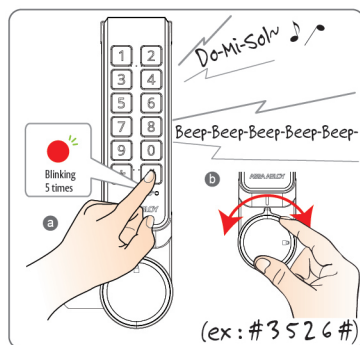
Note: The factory set Master PIN Code is "3526"

Example - Current Master code : 3526 → # (for 4 seconds) 3526 * 5555 # 5555 #
 - New Master code : 5555

Step 1	Step 2	Step 3	Step 4	Step 5	Step 6	Step 7
a Press # button for 4 secs - Yellow LED blinks for 8 secs with beep sound	b Press current "Master Code"	c Press * button - Yellow LED blinks for 8 secs with melody sound "Ra-Si~"	d Press New "Master Code"	e Press # button - Yellow LED blinks for 8 secs with melody sound "Ra-Si~"	f Press New "Master Code" one more time	g Press # button - Red LED blinks 5 times with melody sound "Do-Re-Mi~" - Master Code is set

How to Use the Master PIN Code

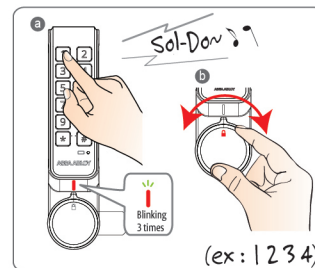
- Note:**
- The User PIN Code will be deleted after use of the Master PIN Code.
 - If using Private Mode, the User PIN Code will need to be reset.



- a Press # + "Master Code" + #
 - Melody sound "Do-Mi-Sol~"
 - Lock unlocks together with 5 beeps and 5 LED blinks.
- b Turn the handle to the open position and open the door

Public Mode - How to Use the User PIN Code

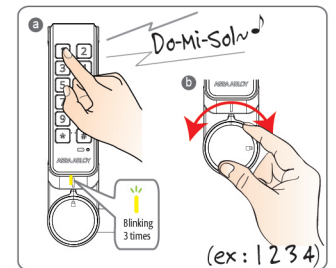
Lock the door



- a Close the door and press the temporary User PIN Code
 - Red LED blinks 3 times with melody sound "Sol-Do~"
- b Turn the handle to the lock position

Note: To use a 5-12 digit PIN code you must press * before the PIN code and # after the PIN code.
 Example: * + 123456 + #

Unlock the door



- a Press the User PIN Code
 - Yellow LED blinks 3 times with melody sound "Do-Mi-Sol~"
- b Turn the handle to the open position and open the door

Note: Public Mode (One Time use) - User PIN code will be erased after being unlocked and stay open for next user.

ML51-KP DIGITAL KEYPAD

Operating Instructions - ML51-KP

Private Mode – How to Set or Change the User PIN Code

How to Change the User Code by registered Master PIN Code

Step 1	Step 2	Step 3	Step 4	Step 5	Example • Master code : 3 5 2 6 • New User code : 3 3 3 3 → # (for 4 seconds) <u>3 5 2 6 #</u> <u>3 3 3 3 #</u>
a Press # button for 4 secs - Yellow LED blinks for 8 secs with beep sound	b Press the "Master Code"	c Press # button - Yellow LED blinks for 8 secs with melody sound "Ra-Si~"	d Press the "User Code"	e Press # button - Blinking Red LED 5 times with Melody sound "Do Re Mi~" - User Code is set	

How to Change the User Code by registered User PIN Code

Step 1	Step 2	Step 3	Step 4	Step 5	Example • Current User code : 3 3 3 3 • New User code : 4 4 4 4 → * (for 4 seconds) <u>3 3 3 3 *</u> <u>4 4 4 4 *</u>
a Press * button for 4 secs - Yellow LED blinks for 8 secs with beep sound	b Press current "User Code"	c Press * button - Yellow LED blinks for 8 sec with melody sound "Ra-Si~"	d Press New "User Code"	e Press * button - Blinking Red LED 5 times with Melody sound "Do Re Mi~" - User Code is set	

Private Mode - How to Use the User PIN Code

Unlock the door	Lock the door
a Press the User Code - Yellow LED blinks 7 times with melody sound "Do-Mi-Sol~" b Turn the handle to the open position and open the door	a Close the door and turn the handle to the lock position Note: Private Mode (Assigned use) - The lock will automatically lock in 4 seconds, just close the door and turn the handle to the lock position

External Emergency Power

Step 1	Step 2
a Connect standard 5 pin Micro USB cable to the USB Port on the right side of the lock b When power is applied, both LEDs blink 5 times with melody sound "Do-Mi-Sol~Sol-Do"	c Press User Code or Master Code to unlock the lock Note: - User code will be deleted after use of the Master code - For Private Mode the User code will need to be reprogrammed d Open the door and change all three batteries

Hard Reset

On the rear of the lock at the top right of the battery compartment there is a 2mm hole. A small pin can be inserted here and held down for 3 seconds until a beep sounds. This will delete all PIN Codes from the lock. The lock will be reset to Private Mode with factory Master Code "3526" and User Code "0000".

