

Vivid[®] COLLECTION



DOOR
FURNITURE

vivid. | **LOCKWOOD**
ASSA ABLOY

A room should start
a *conversation* before
people actually start
exchanging *words*.

– Barry Dixon, Interior Designer

LOCKWOOD VIVID® COLLECTION

Unleash *your* Style

Proudly introducing the Lockwood Vivid® Collection. Available in three finishes – Satin Brass, Satin Gunmetal, and Matt Black, this is a range well-placed to satisfy the growing consumer trend towards coloured door hardware finishes. Gunmetal is a popular choice thanks to its versatility, and it works with almost any décor style, from sleek and modern to heritage charm. There is also an emerging preference for warmer, natural tones such as brass, which work well in Modern Country and Hamptons-inspired homes and add character to new builds. And let's not forget the timeless Matt Black.

Vivid® Collection levers come in Passage, Privacy and Dummy internal door formats, as well as sliding door components like cavity sliders and accessories such as door stops.

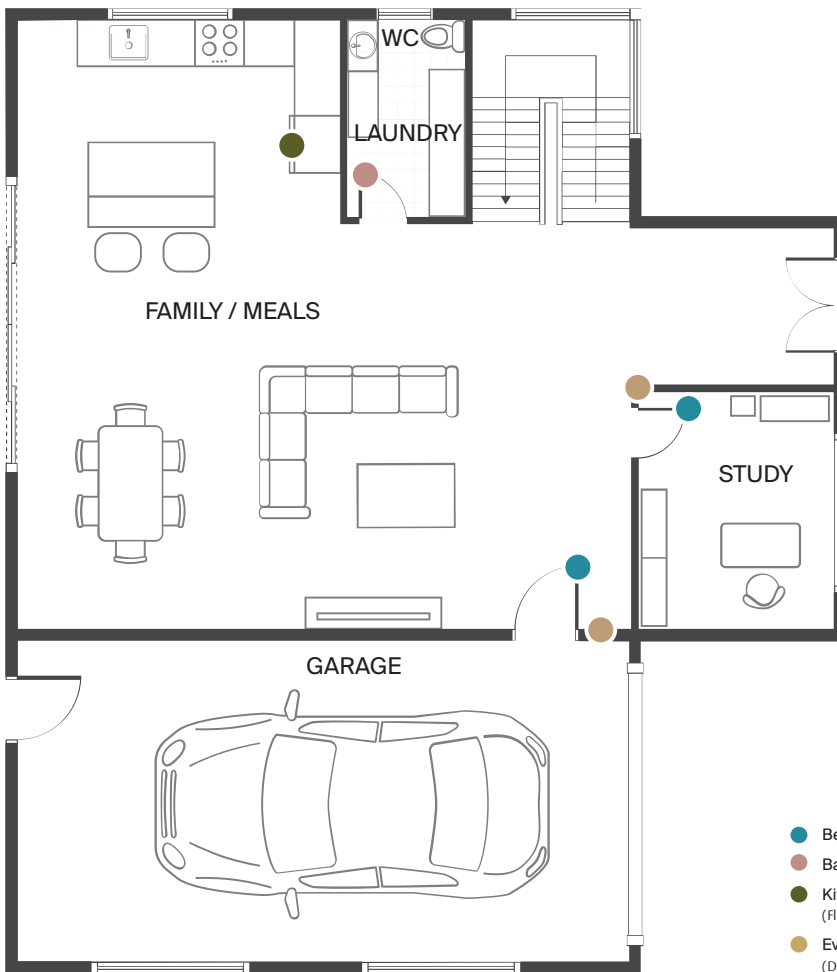
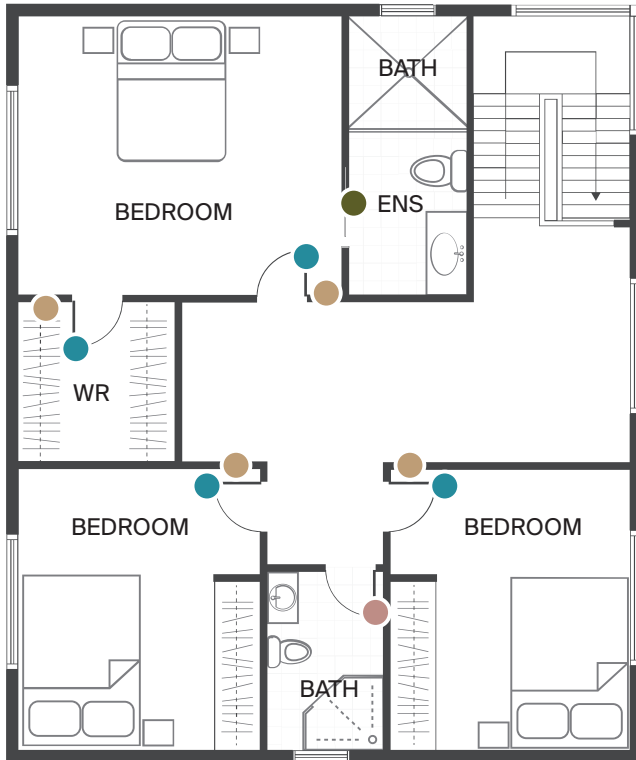
The Vivid® Collection's Satin Brass & Satin Gunmetal are derived from a physical vapor deposition (PVD) surface treatment which offers a range of benefits, including sustainability and durability. PVD coatings exhibit unparalleled hardness, with four times the robustness of chrome, along with superior scratch and wear resistance, and reduced susceptibility to corrosion. In addition, PVD coatings do not emit toxic liquids or gases during manufacturing, making them a cleaner and safer method of production.

With the peace of mind that PVD provides, and the variety of coloured finishes to match any home décor style, Vivid® Collection is the ideal solution for renovators and new home builders alike.



Your *home* should tell the
story of who you are, and be a
collection of what you *love*.

— Nate Berkus, Interior Designer



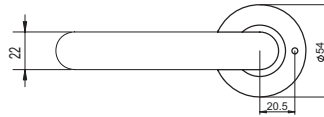
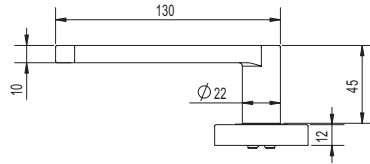
- Bedroom (Passage / Dummy Lever)
- Bathroom / Ensuite (Privacy Leverset)
- Kitchen Pantries, other Sliding Doors (Flush Pull, Edge Pull and Cavity Slider Privacy Set)
- Every Internal Door (Door Stop)



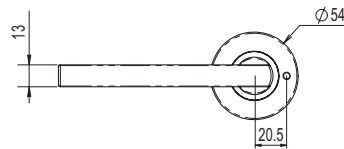
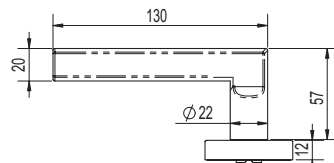
Bathroom/Ensuite

PRIVACY LEVER & LATCH

LEVER 3 - PRIVACY

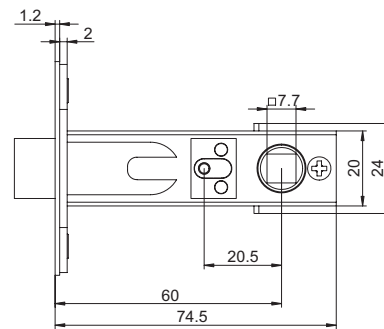


LEVER 4 - PRIVACY





PRIVACY LATCH



ROSE DIMENSIONS

54mm diameter x 12mm

MATERIALS

All visible surfaces 304 stainless steel

LATCHES

Privacy sets are supplied with a 60mm backset privacy latch which includes an activating pin for the inside of the door and an external emergency release function. The latch is automatically released when the internal handle is operated and is easily adapted for both open in and open out applications. All latches are supplied with industry standard "T" strikes and strike box

DOOR THICKNESS

32-45mm hinged door for privacy set

FINISH

- PVD Satin Brass
- PVD Satin Gunmetal
- Powder Coated Matt Black

STANDARDS & COMPLIANCE

D7

Tested to AS4145.2 2008 for Durability passing D7 - 300,000 cycles

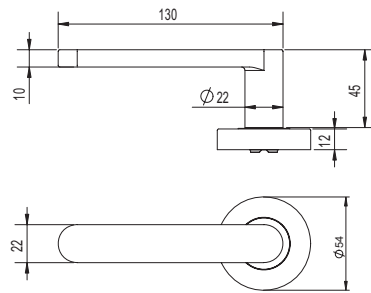
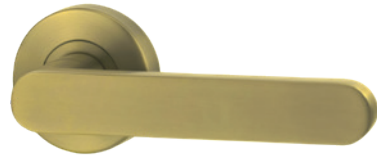


Tested to AS4145.2 2008 for Neutral Salt Spray, passing C6 - 168 hours

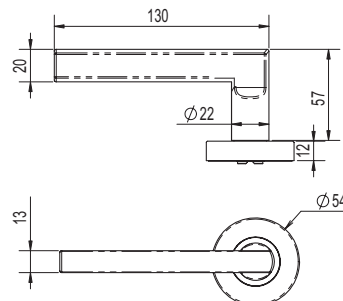
Bedroom

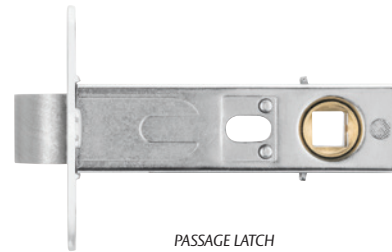
PASSAGE LEVER & LATCH/DUMMY LEVER

LEVER 3 - PASSAGE / DUMMY

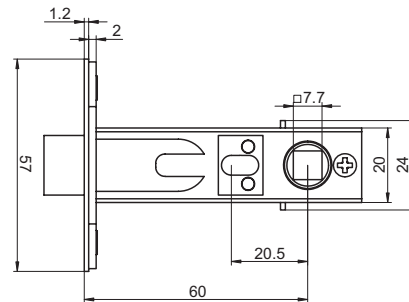


LEVER 4 - PASSAGE / DUMMY





PASSAGE LATCH



ROSE DIMENSIONS

54mm diameter x 12mm

MATERIALS

All visible surfaces 304 stainless steel

LATCHES

Passage sets are available with a 60mm backset tubular latch and is easily adapted for both open in and open out applications. All latches are supplied with industry standard "T" strikes and strike box

DOOR THICKNESS

32-45mm hinged door for passage set

FINISH

- PVD Satin Brass
- PVD Satin Gunmetal
- Powder Coated Matt Black

HALF DUMMY LEVER

Half dummy lever with same PVD finishes are available to install on non-functional doors, such as wardrobe and cupboard doors

STANDARDS & COMPLIANCE

D7

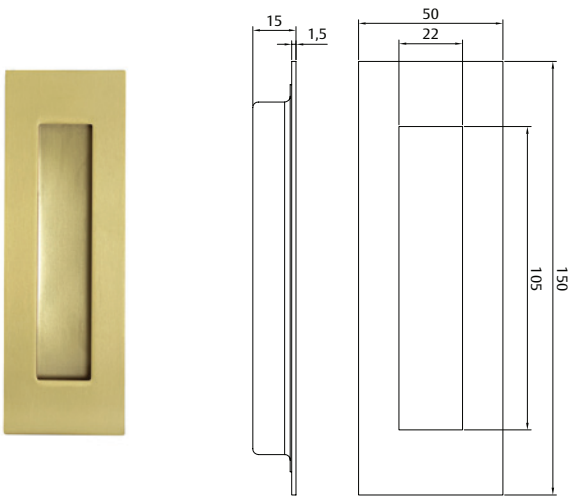
Tested to AS4145.2 2008 for Durability passing D7 - 300,000 cycles



Tested to AS4145.2 2008 for Neutral Salt Spray, passing C6 - 168 hours

Kitchen Pantries & Sliding Doors

FLUSH PULL, PRIVACY CAVITY DOOR SLIDER



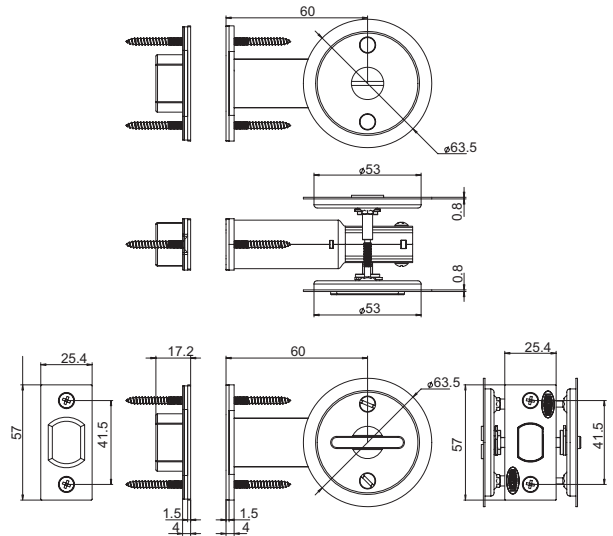
Materials

304 stainless steel

Finish

- PVD Satin Brass
- PVD Satin Gunmetal
- Powder Coated Matt Black





PREP HOLE

54mm diameter

MATERIALS

All visible surfaces 304 stainless steel

DOOR THICKNESS

32-45mm (SB & GM), 32-40mm (MBK) sliding door

FINISH

- PVD Satin Brass
- PVD Satin Gunmetal
- Powder Coated Matt Black

STANDARDS & COMPLIANCE

D6

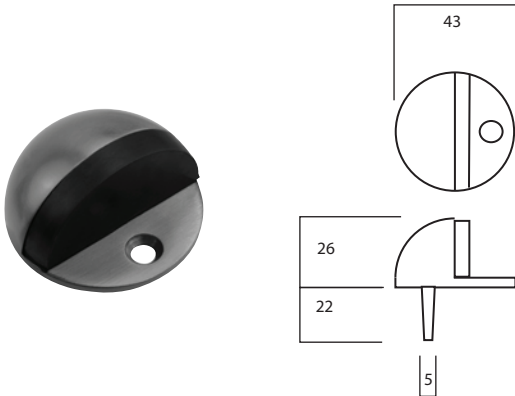
Tested to AS4145.2 2008 for Durability passing D6 - 100,000 cycles



Tested to AS4145.2 2008 for Neutral Salt Spray, passing C6 - 168 hours

Internal Hinged Doors

DOOR STOPS



Designed to be floor mounted, the door stop prevents doors and handles damaging walls and fixtures. The black rubber buffer gives further protection for door finishes

STANDARDS & COMPLIANCE

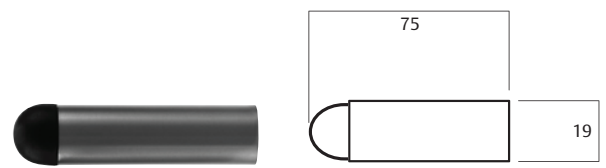


Tested to AS4145.2 2008 for Neutral Salt Spray, passing C6 - 168 hours

FINISH

- PVD Satin Brass
- PVD Satin Gunmetal
- Powder Coated Matt Black





Designed to be wall mounted, the door stop prevents doors and handles damaging walls and fixtures. The door stop features concealed fixing behind the rubber buffer

STANDARDS & COMPLIANCE



Tested to AS4145.2 2008 for Neutral Salt Spray, passing C6 - 168 hours

FINISH

- PVD Satin Brass
- PVD Satin Gunmetal
- Powder Coated Matt Black

VIVID® COLLECTION

Satin Brass





LEVER V3 PASSAGE SET WITH LATCH

Part Number: VIV1/V3SBPVD



LEVER V4 PASSAGE SET

Part Number: VIV1/V4SBPVD

LEVER V3 PRIVACY SET WITH LATCH

Part Number: VIV2/V3SBPVD

LEVER V4 PRIVACY SET

Part Number: VIV2/V4SBPVD

LEVER V3 DUMMY HALF SETS

Part Number: VIV3/V3SBPVD

LEVER V4 DUMMY HALF SETS

Part Number: VIV3/V4SBPVD



150MM FLUSH PULLS

Part Number: VIVFP2-150SBPVD



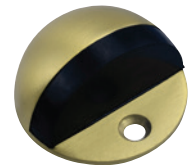
CAVITY SLIDING PRIVACY SET

Part Number: VIVCAV2/SBPVD



LONG CIGAR SHAPE DOOR STOP

Part Number: VIVA300/SBPVD



HALF MOON DOOR STOP

Part Number: VIVA290/SBPVD

VIVID® COLLECTION

Satin Gunmetal





LEVER V3 PASSAGE SET WITH LATCH

Part Number: VIV1/V3GMPVD



LEVER V4 PASSAGE SET

Part Number: VIV1/V4GMPVD

LEVER V3 PRIVACY SET WITH LATCH

Part Number: VIV2/V3GMPVD

LEVER V4 PRIVACY SET

Part Number: VIV2/V4GMPVD

LEVER V3 DUMMY HALF SETS

Part Number: VIV3/V3GMPVD

LEVER V4 DUMMY HALF SETS

Part Number: VIV3/V4GMPVD



150MM FLUSH PULLS

Part Number: VIVFP2-150GMPVD



CAVITY SLIDING PRIVACY SET

Part Number: VIVCAV2/GMPVD



LONG CIGAR SHAPE DOOR STOP

Part Number: VIVA300/GMPVD



HALF MOON DOOR STOP

Part Number: VIVA290/GMPVD

VIVID® COLLECTION
Matt Black





LEVER V3 PASSAGE SET WITH LATCH

Part Number: VIV1/V3MBK

LEVER V3 PRIVACY SET WITH LATCH

Part Number: VIV2/V3MBK

LEVER V3 DUMMY HALF SETS

Part Number: VIV3/V3MBK



LEVER V4 PASSAGE SET

Part Number: VIV1/V4MBK

LEVER V4 PRIVACY SET

Part Number: VIV2/V4MBK

LEVER V4 DUMMY HALF SETS

Part Number: VIV3/V4MBK



150MM FLUSH PULLS

Part Number: FP2-150MBK



CAVITY SLIDING PRIVACY SET

Part Number: 7400MBKDP



LONG CIGAR SHAPE DOOR STOP

Part Number: A315MBK



HALF MOON DOOR STOP

Part Number: A290MBK



ASSA ABLOY



ASSA ABLOY Opening Solutions New Zealand (Head Office)

6 Armstrong Road, Albany, Auckland 0632

For customer feedback:

09 448 9188 | nzsales@assaabloy.com

assaabloy.com/nz

Disclaimer

Whilst every effort has been made to ensure that the information (including product images and drawings) contained in this brochure is accurate at the time of publication, ASSA ABLOY New Zealand Limited ("ASSA ABLOY") recommends that you consult ASSA ABLOY or its agents prior to placing an order to ascertain current information on specific products, as ASSA ABLOY reserves the right to make changes without notice. ASSA ABLOY will not be liable for any injury, loss or damage whatsoever, arising from any errors or omissions in the information contained in the brochure or arising from the use or application of the information contained herein. © 2023 copyright by ASSA ABLOY All rights reserved