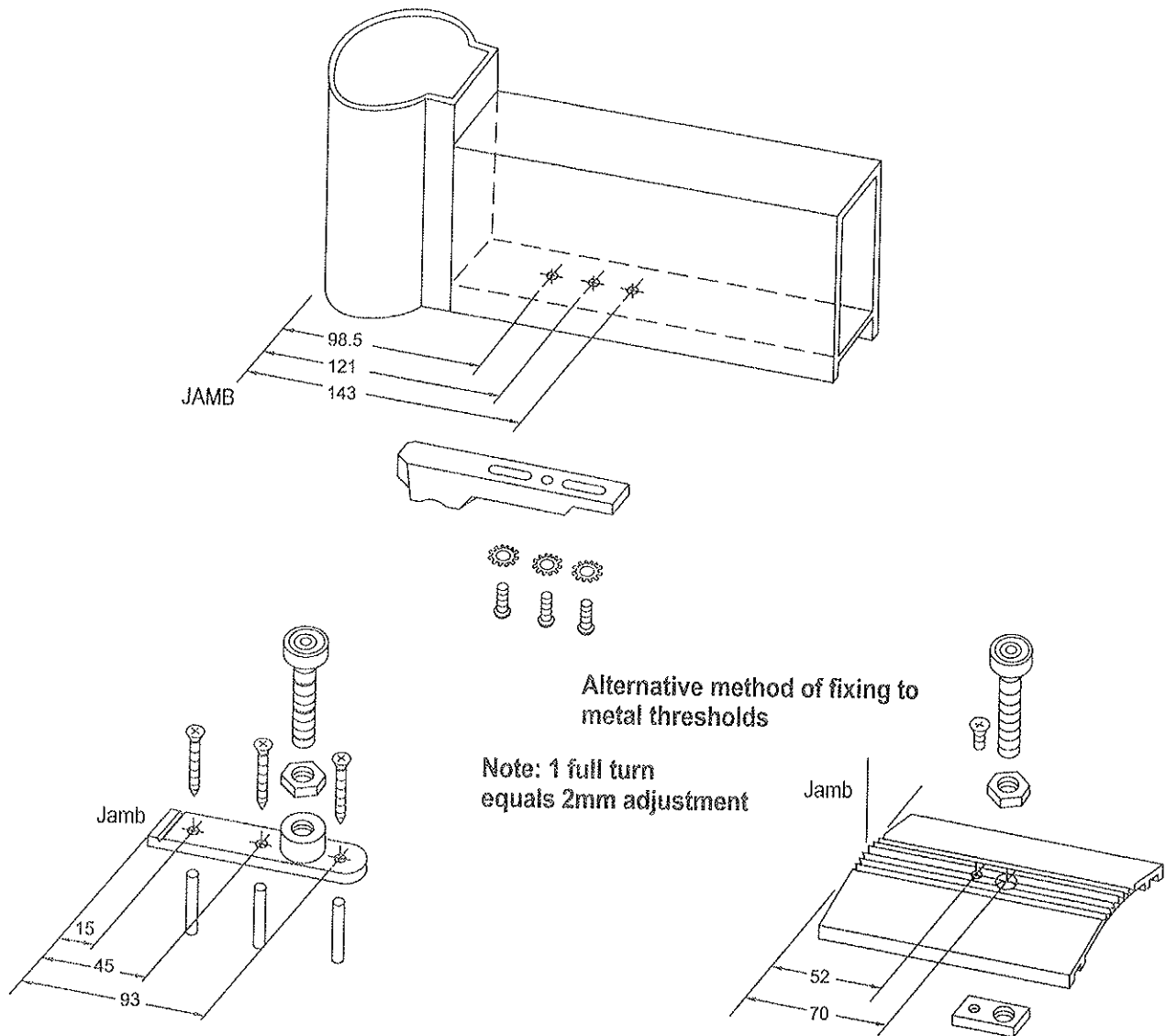


SIDE-LOAD BOTTOM PIVOT ASSEMBLY, 70mm PIVOT POINT



- ★ Prepare the bottom rail of the door to accommodate the pivot shoe with 2No. drilled and tapped M6 holes at 98.5mm and 143mm centers.
- ★ Fit pivot shoe to underside of door, through the slotted holes with 2No. M6 X 10mm round head screws and lock-washers.
- ★ The center hole should be drilled and tapped on site when correct alignment of the door has been achieved. THIS FINAL FIXING MUST BE USED.
- ★ If an aluminum threshold is being used prepare as shown below.
The 5mm thick plate is held in position by the M5 countersink screw and the pivot can be installed. Determine the correct height of the pivot and tighten the locknut.
If the bolt protrudes below the base of the threshold excess must be removed or the floor level drilled accordingly.