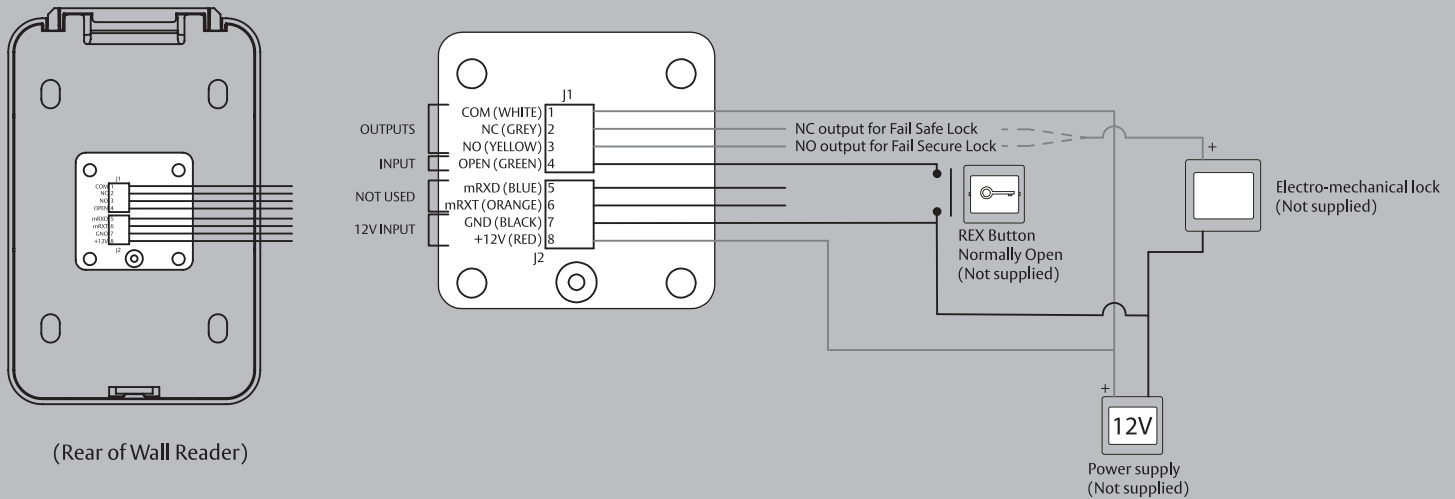


INTEGRAL WALL READER AND MOUNTING PLATE

Colour : Black
 Material : ABS
 Voltage : 12VDC
 Max switched current : 1A
 Card type : Mifare 1

WIRING DIAGRAM



INSTALLATION, PROGRAMMING AND OPERATION

INSTALLATION

Feed required cabling through opening in mounting plate and then secure mounting plate to wall using appropriate fixings.

Terminate wiring as per wiring diagram to suit specific application.

Secure wall reader to mounting plate using screw from underside of reader.

PROGRAMMING

Refer to programming guides.

OPERATION

After presenting a valid card to the reader, a green light and single beep will confirm access and a 5 second unlock signal will be provided to the lock.

