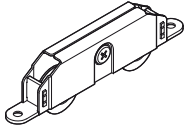
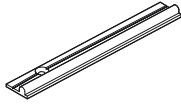


FITTING INSTRUCTIONS - NOTICE DE POSE - MONTAGE HANDLEIDING - MONTAGEANLEITUNG ISTRUZIONI DI MONTAGGIO - INSTUCCIONES DE MONTAJE

Instructions cover the installation of the following components



200SS Roller



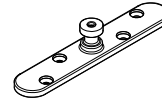
915A or 915B
Bottom Rail



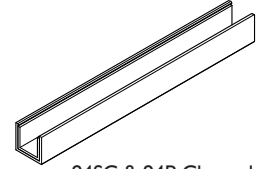
DS200/SS Floor Stop



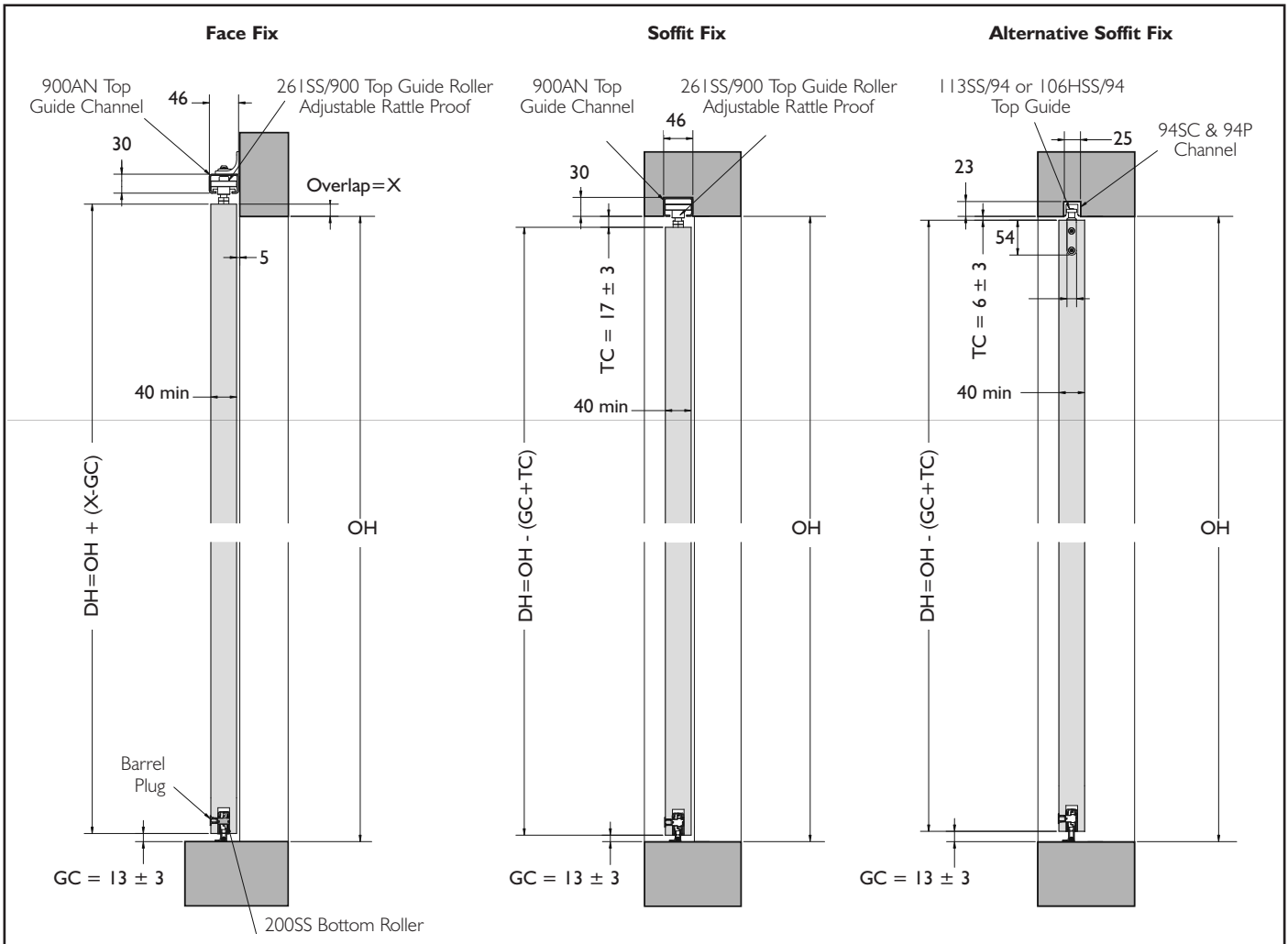
113SS/94 Corner Bracket



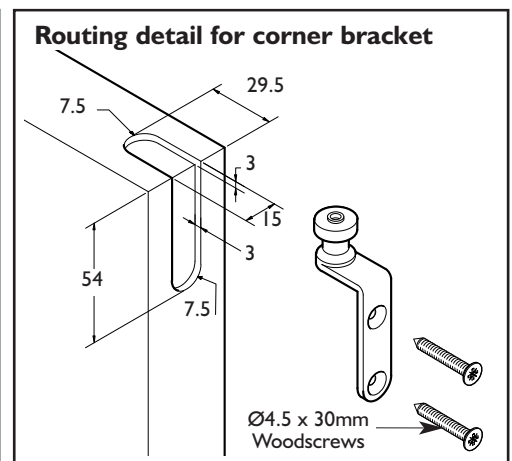
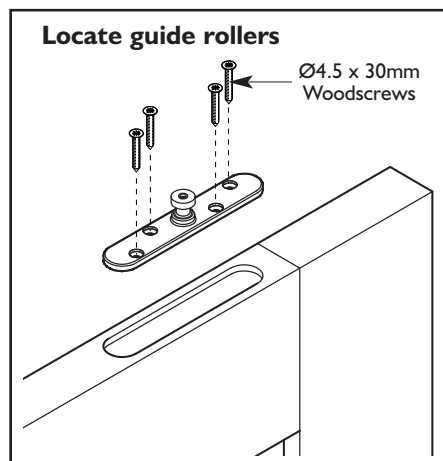
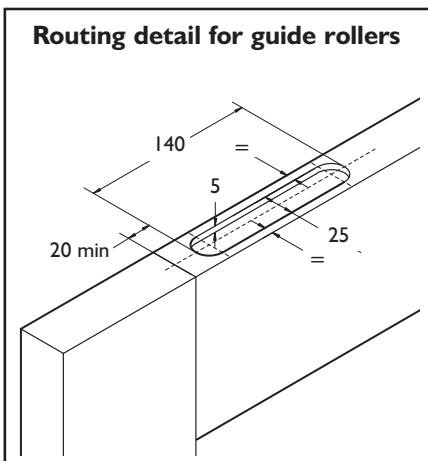
106HSS/94 Guide



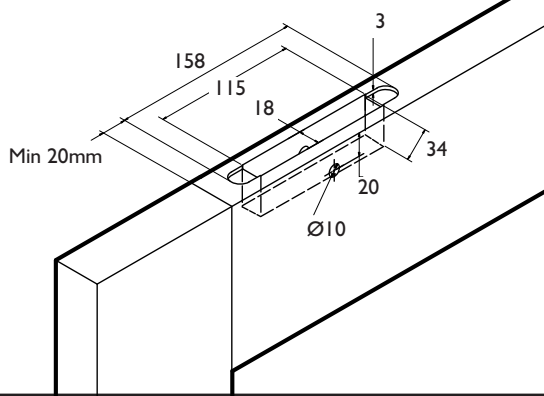
94SC & 94P Channel



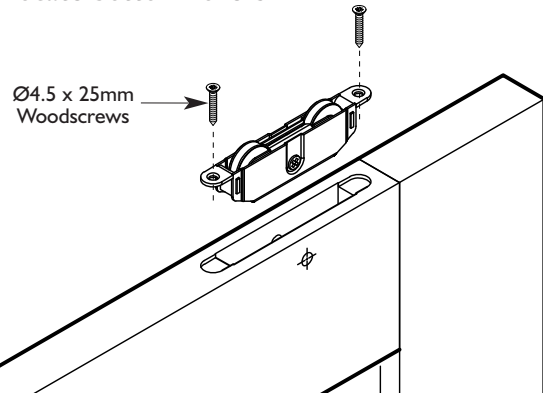
NOTE: Routing detail for all steps must be followed to the exact measurements provided. Failure to do so may effect the overall functionality and longevity of the product.



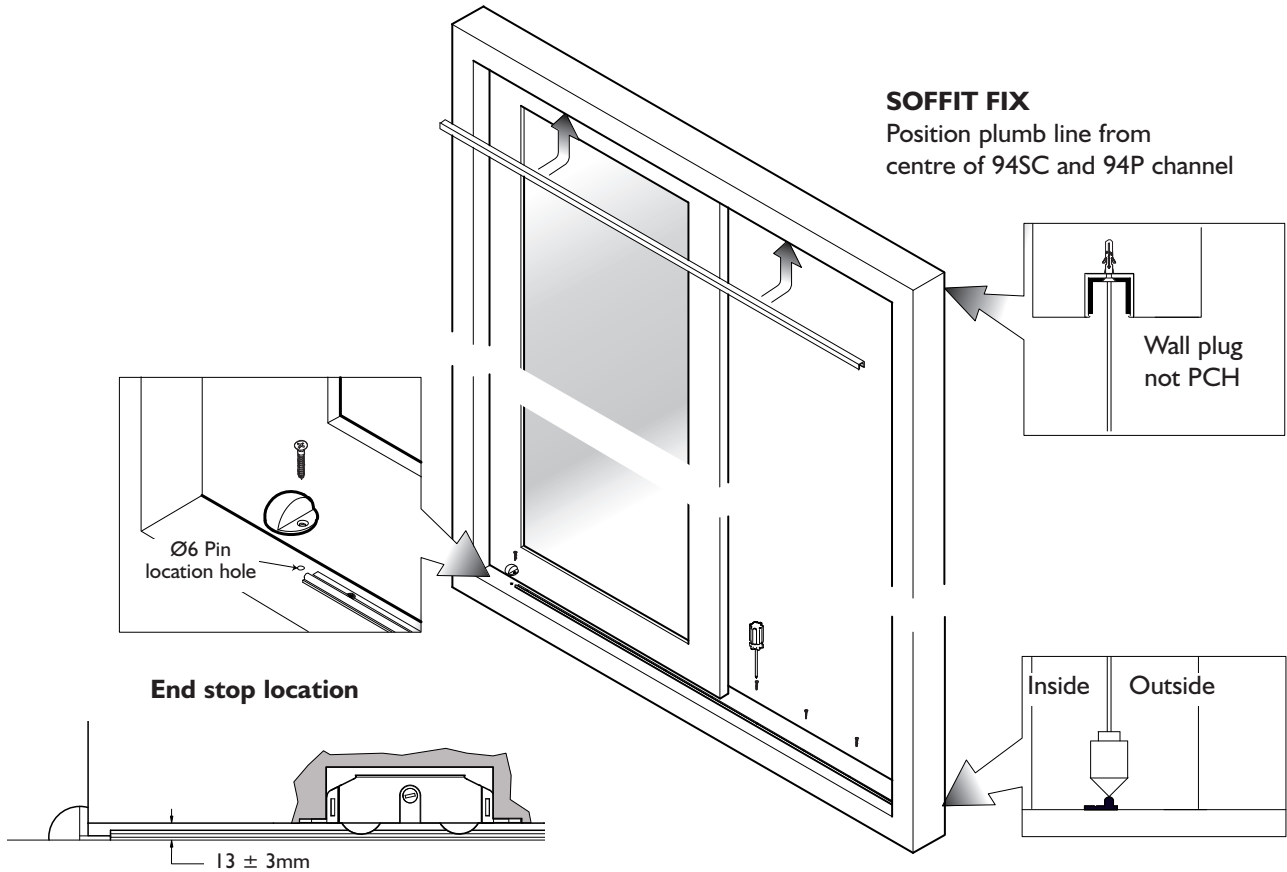
Routing detail for bottom rollers



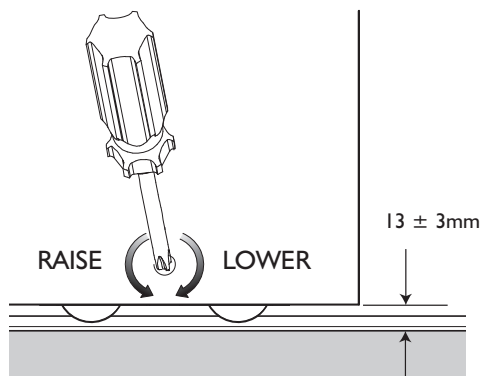
Locate bottom rollers



Top guide channel and bottom rail installation



Bottom roller adjustment



Locate plugs

