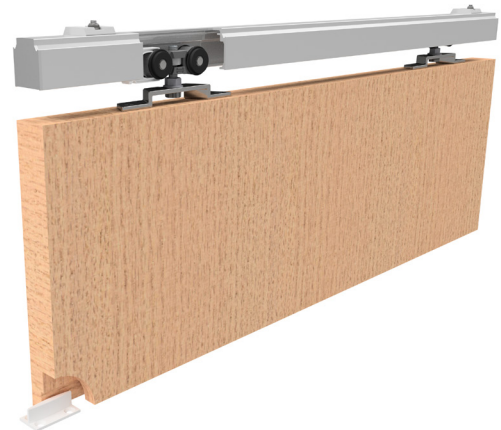


HUSKY 120 PRO

HENDERSON

DATA SHEET



Husky 120 Pro is a robust smooth running straight sliding system ideal for creating room dividers. Suitable for both wooden and metal doors up to 120kg the system has low initial friction and is easy to install. There is a range of products including fittings kits and soft close to complete your sliding door system.

Standard Husky 120 Pro Kit Includes:

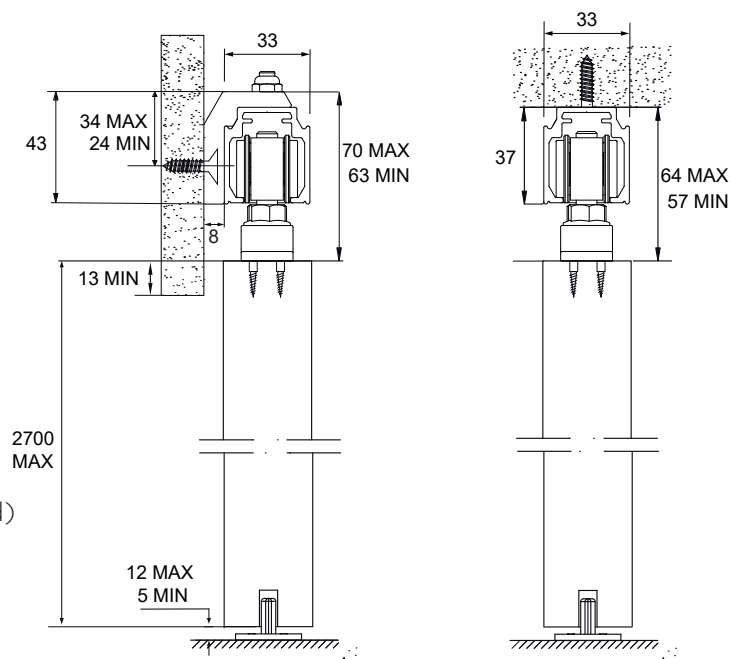
- Anodised aluminum track with mounting holes for soffit (ceiling) or face (wall) installation
- Hangers
- Easy Access Apron Plate
- Wall Brackets
- End Caps
- Clip Stop
- Guide

You will also need:

- Flush pulls and/or handles

Your Standard kit can be enhanced with:

- Fascia F134, anodised aluminium (for face fixed)
- Soft Close (SOFTHP120) - additional trailer hanger available for doors wider than 950mm
- SIM120 Simultaneous Kit
- LHP120 Low Headroom Kit
- Glass Patch Kit (for use with glass doors)



Kit and Door Specification

Kit Short Code	Track Length	Max. Door Height	Max. Door Width	Max. Door Thickness	kg
HP120/15A	1500mm	2700mm	762mm	20-45mm	< 120kg
HP120/20A	2000mm	2700mm	1000mm	20-45mm	< 120kg
HP120/25A	2500mm	2700mm	1250mm	20-45mm	< 120kg
HP120/30A	3000mm	2700mm	1500mm	20-45mm	< 120kg

P C HENDERSON LTD
Durham Road, Bowburn,
Co. Durham,
DH6 5NG

UK SALES
t: +44 (0) 191 377 7345
e: sales@pchenderson.com
w: www.pchenderson.com

IRELAND SALES
t: +353 (0)1 643 6816
e: sales@pchenderson.ie
w: www.pchenderson.ie

INTERNATIONAL SALES
t: +44 (0) 191 377 7346
e: international@pchenderson.com
w: export.pchenderson.com

REV 4
Oct-22