

Electric Locks from Abloy Security

Solenoid lock EL411

PAGE 1 OF 2

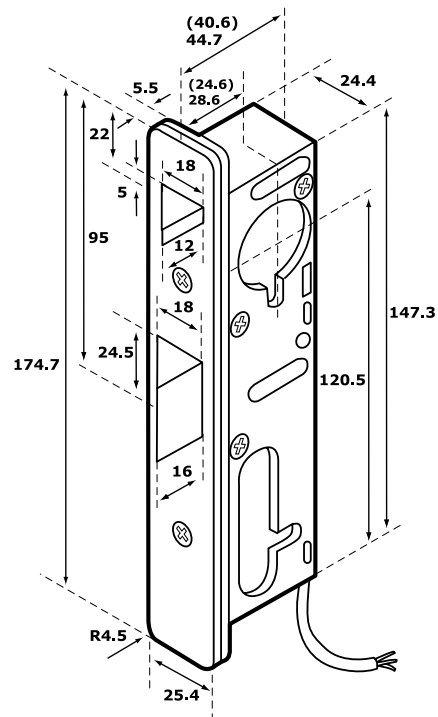


Features

- Fail unlocked
- Bolt deadlocks when door closes
- Bolt collapses into lockcase as door is opened (push or pull)
- Inside handle operates at all times
- Control switches -bolt collapses when power on
- Monitoring
Request to Exit (RQE) on inside handle
- Bolt position

Applications

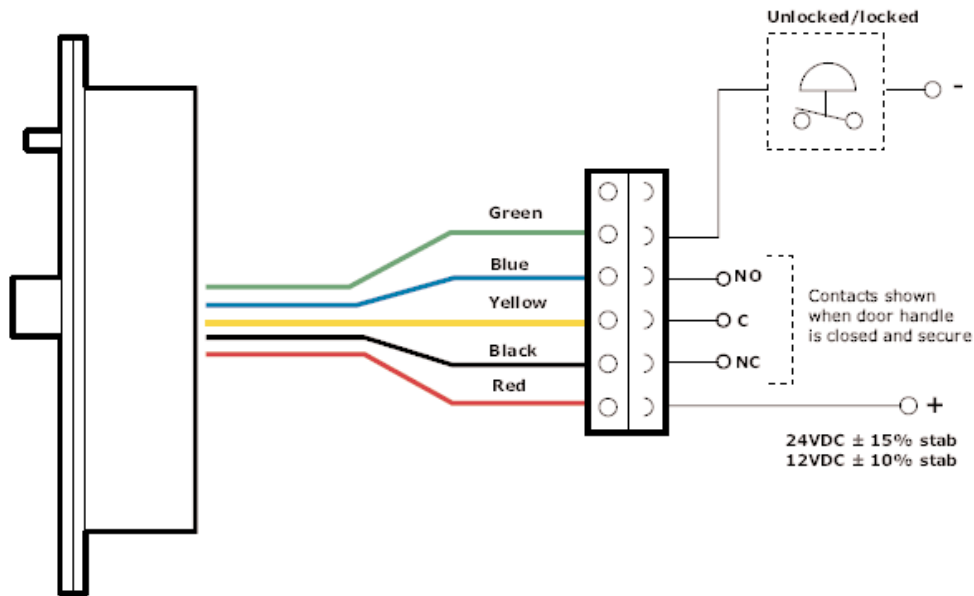
- Suitable for use on commercial premises, office and apartment buildings, industrial buildings etc.
- Ideal for exterior and interior doors requiring high security
- Suitable for use on emergency exits as the door can always be opened with the inside handle



Electric Locks from Abloy Security

Solenoid lock EL411

PAGE 2 OF 2



Specification

	EL 411
Operating Voltage	
-10 %/15%	12 VDC stabilized
- + 15%	24 VDC stabilized
Current max (+20 C)	
12 VDC	0.4A
24 VDC	0.2A
Temp range °C	-35 to +66
Backset (mm)	
Standard	24.6
Special	28.6
Forend Finish	Satin chrome

Accessories

	EL 411
Cylinder Single	CY404
Strike	4610 (inc) Flat 4
Handles	
Paddle	4591+801790
Lever	6310 or 6311
Threaded thumbturn	4067-SAA
Cable	EA211

NB Unless otherwise stated all electro-mechanical lockcase cylinders will be supplied as ABLOY PROTEC
SSS: Satin stainless steel