

## Emergency Door Stop

Recommended for installation with our EP-5J pivot in schools, hospitals, institutions and other public buildings. This unit allows center hung or 1/8" inset doors to be opened in both directions without damaging the frame.

- Used to convert double acting doors hung on center pivots to single acting doors
- Emergency release allows door to swing open in the opposite direction
- Mortise only on frame
- Latch releases with a touch of the finger
- Second touch of lever returns latch to original position
- Available in brass material polished and plated
- Accepted by the New York State Office of Mental Health (OMH) for use in high risk areas

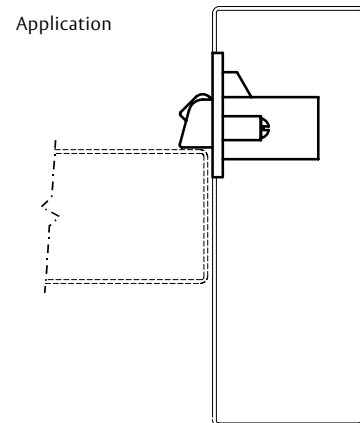
DS-6



No.	ANSI Cross Reference	Base Material
DS-6	A1882	Brass

### Specifications

Inches	mm	Gauge	No. of Holes	Fasteners Machine
Surface Plate 4 1/2" x 1 5/8"	114.3 x 41.3	.134	4	1/2 x 12-24
Bolt height 1 3/4"	44.5			



**ASSA ABLOY**

The global leader in door opening solutions

RH-3