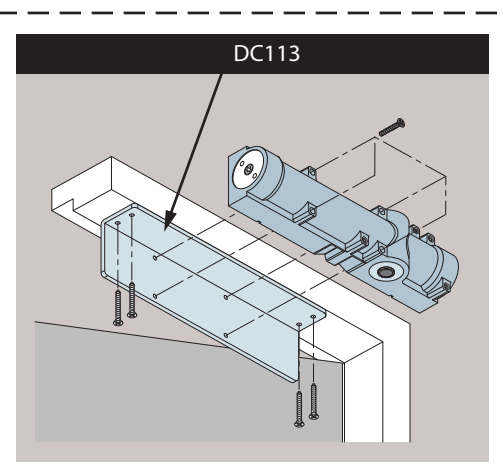
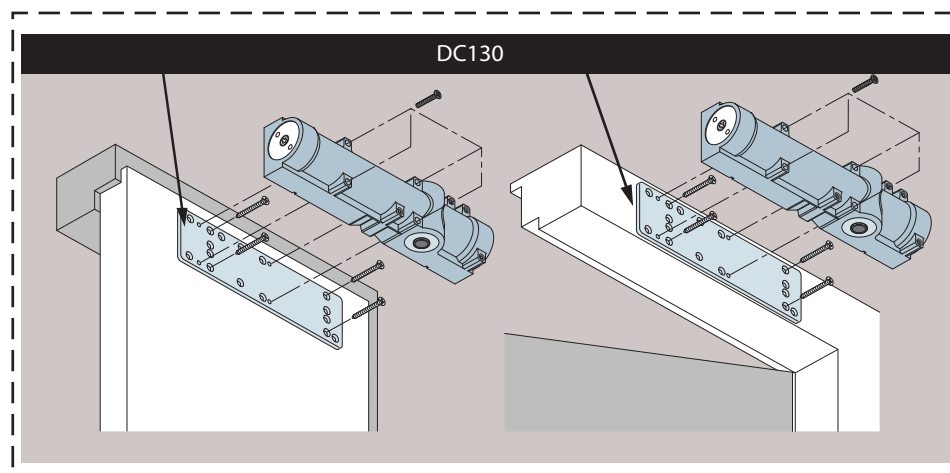
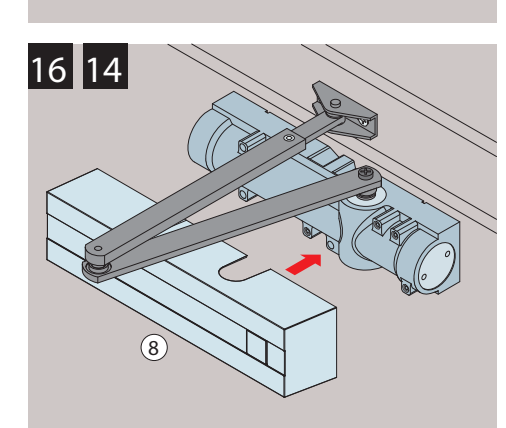
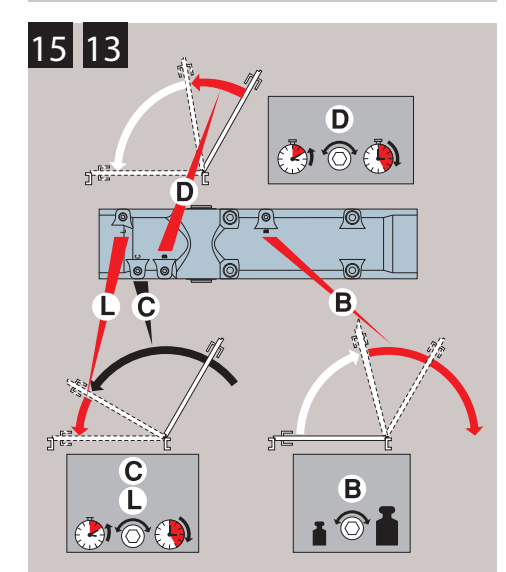
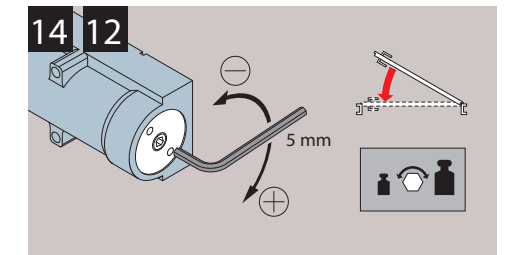
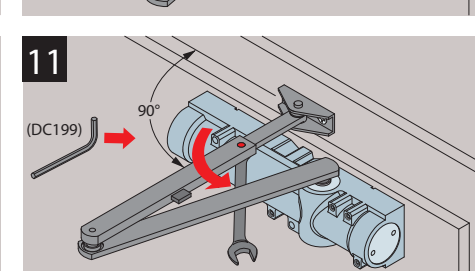
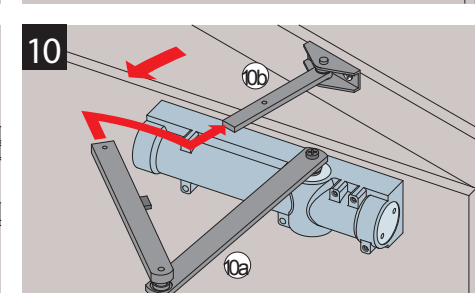
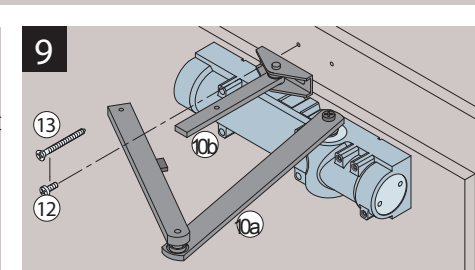
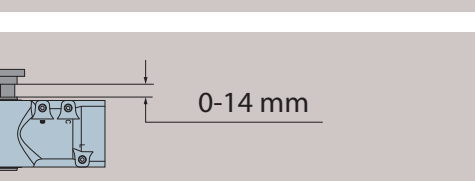
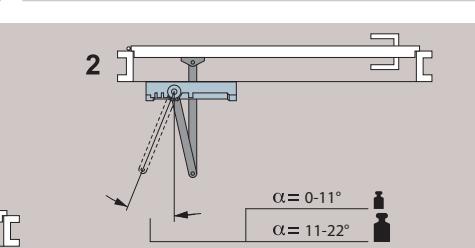
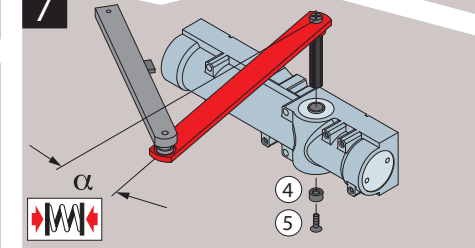
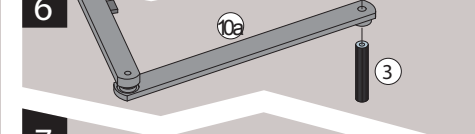
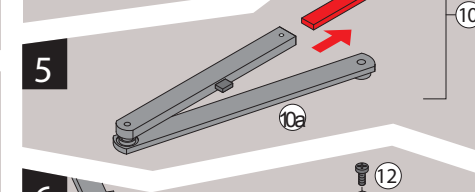
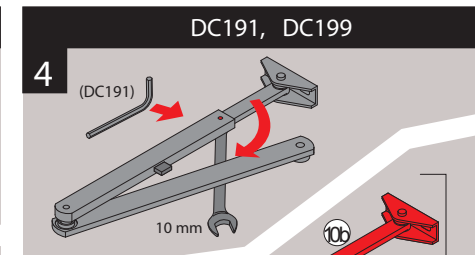
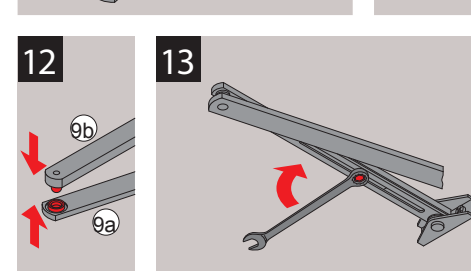
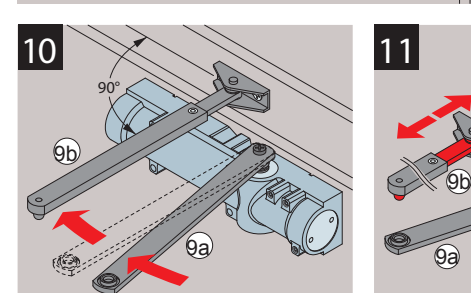
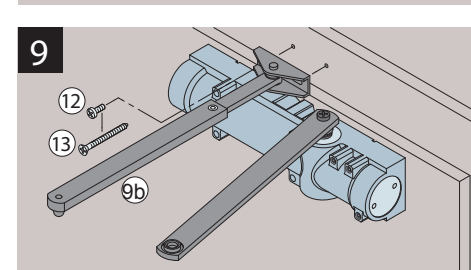
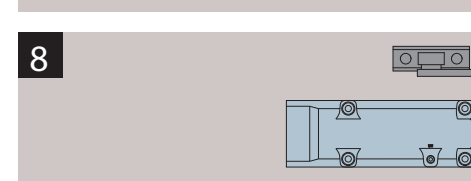
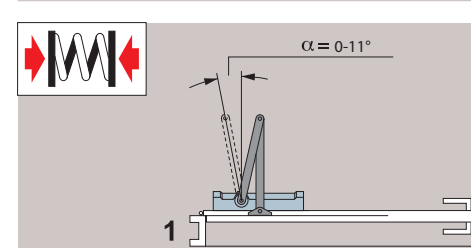
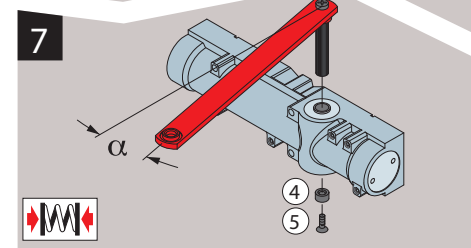
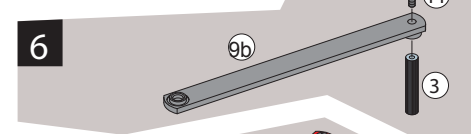
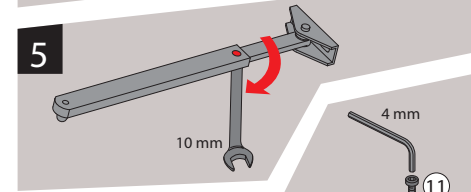
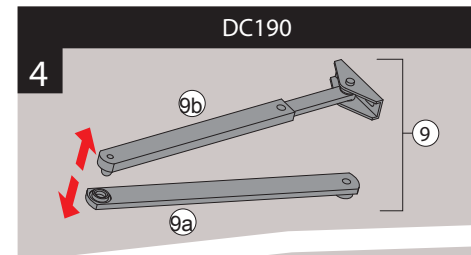
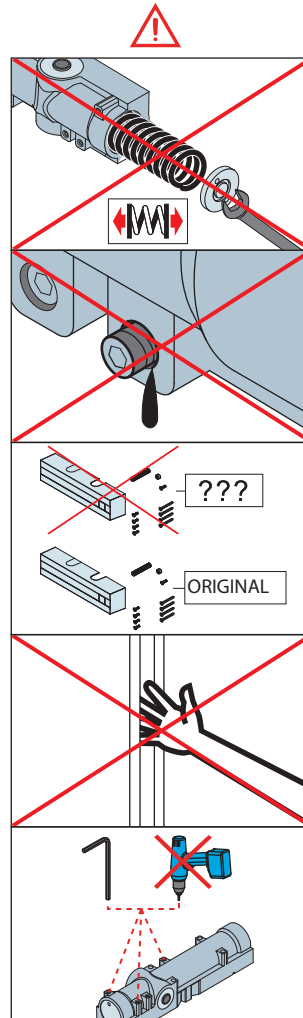
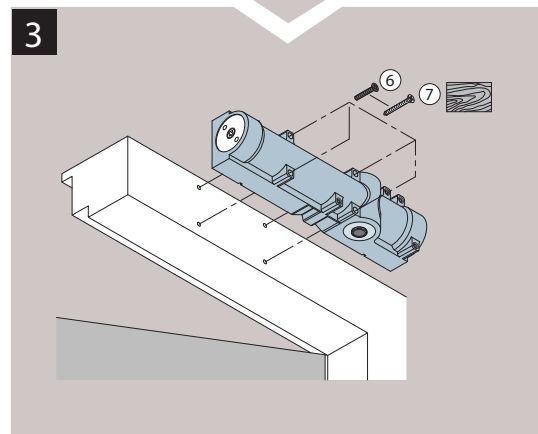
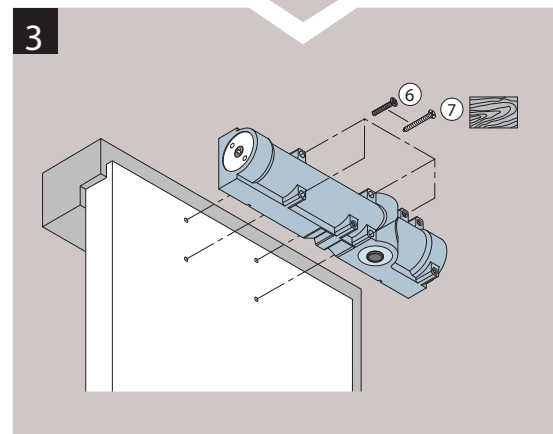
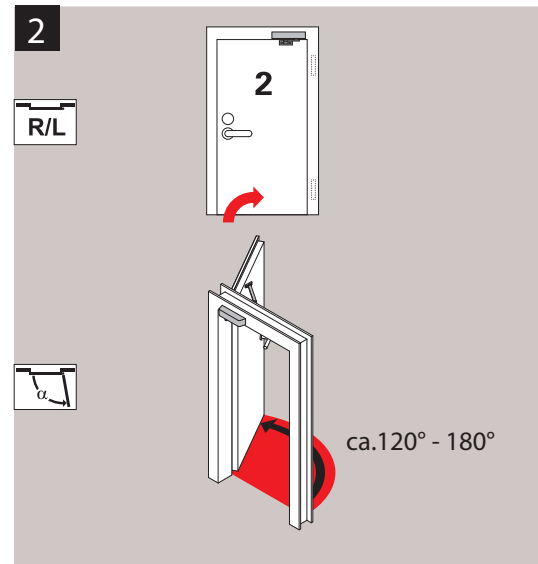
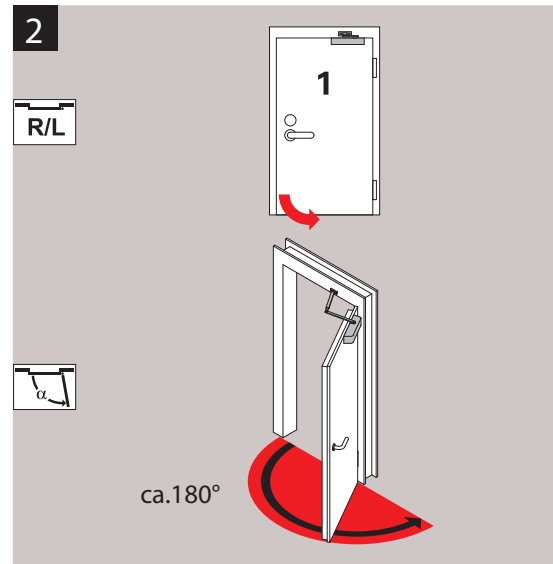
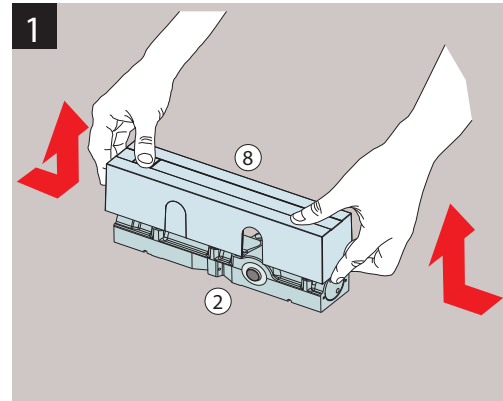
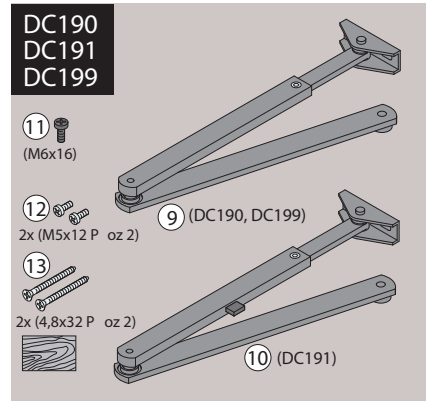
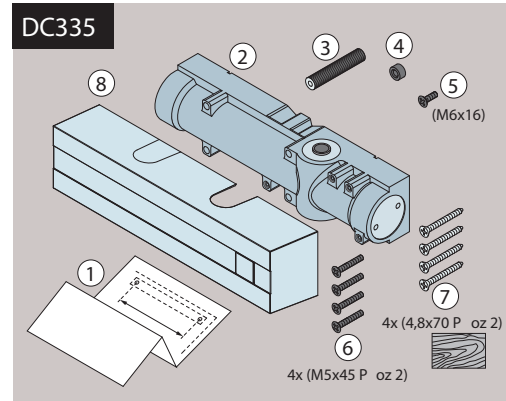


# DC335 + DC190/DC199/DC191



DC335 + DC190/DC199

CE	Abloy Oy, PO Box 108 80101 Joensuu, Finland	16
DC335	EN 1154:1996/A1:2002/AC:2006 1121-CPR-AD5244	4 0 3 1 1 3
Dangerous substances: None		

www.abloy.com/dop



# DC335 + DC194

