

The Yale logo consists of the word "Yale" in a bold, black, sans-serif font, centered within a bright yellow circle.

Aria Window Fastener with Helix Seal™

The Aria Window Fastener incorporates the patented Helix Seal™ cam action for ease of operation. The integrated tongue shield protects the window frame against marking when opening and closing, while providing enhanced window seal compression on closing.

This fastener blends seamlessly with the full range of Aria furniture, to create a modern and consistent look. It can be used on either aluminium or uPVC, casement or awning windows.

Features:

- Helix Seal™ patented 90° cam action
- Enhanced seal compression without the need of a flap or wedge
- Tongue shield with chamfered edge to protect the window frame
- High quality pressure die-cast components with colour matched tongue shield
- Face fixing
- Concealed fixing
- Quality friction joint providing tested and proven durability

Options:

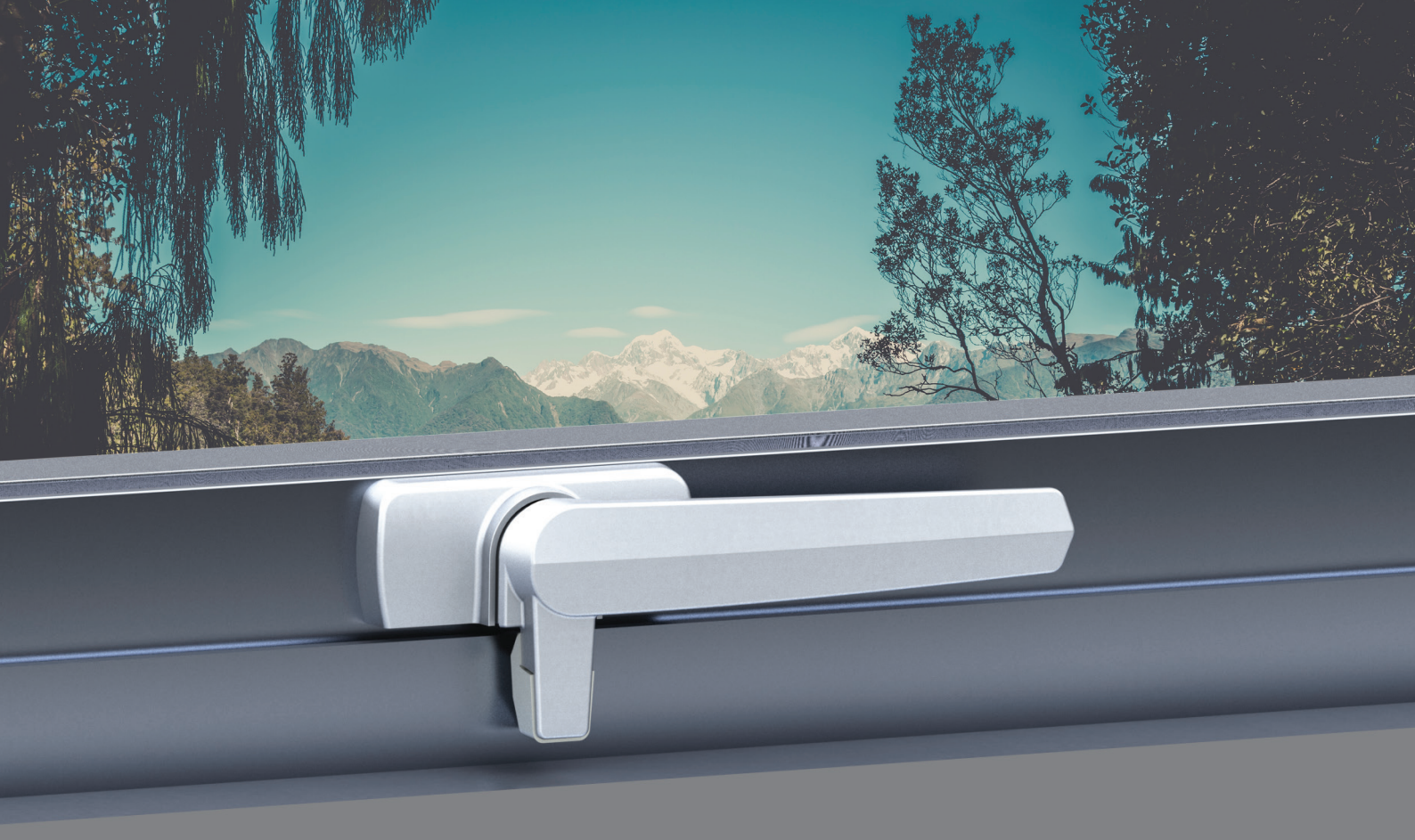
- Available in low profile, high profile and double tongue
- Left and right handed models
- Available in a wide range of powder coat colours or satin chrome finish



Trusted every day

PATENTED TECHNOLOGY

HELIX SEAL



Aria Low Profile

The low profile design is suited to bypass situations, where a sliding door would pass in front of a window.



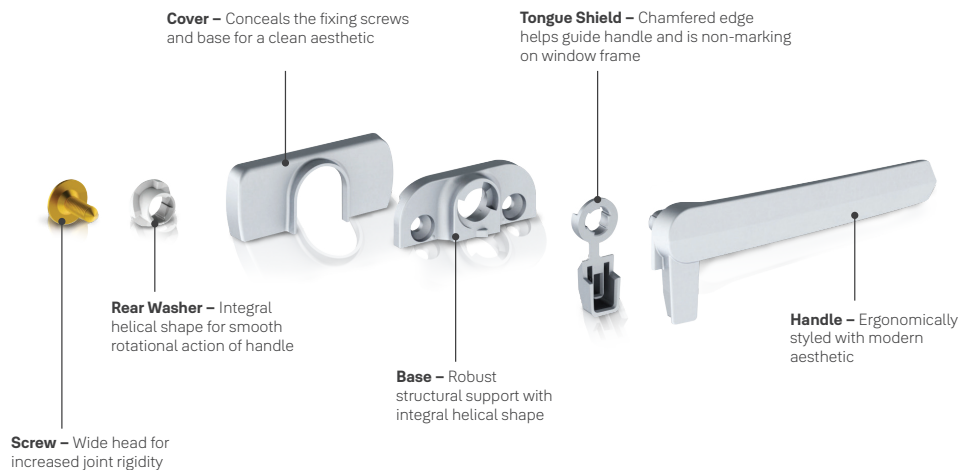
Aria High Profile

The high profile fastener has an ergonomic design and allows for more finger room for easier opening and closing.



Aria Double Tongue

The double tongue fastener allows controlled ventilation especially in windy conditions.



Fixing Details

