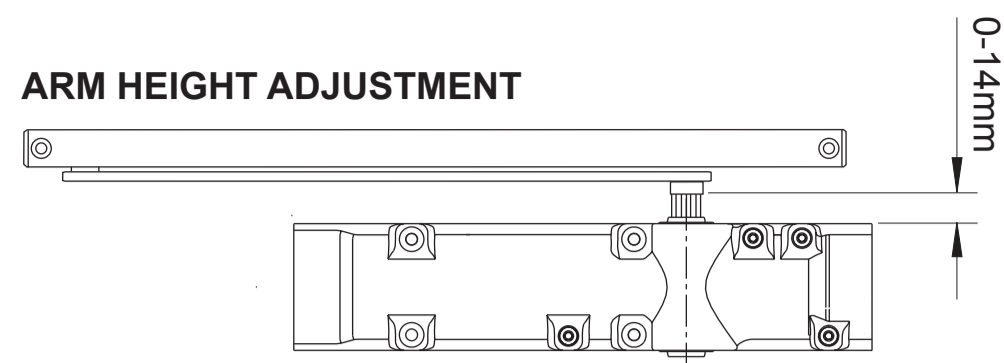
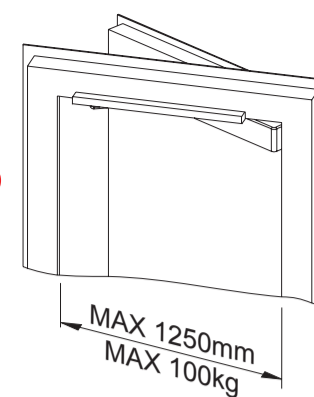


Power Size	Max. Door Width	Max. Door Weight	Max. Door Opening	Min. Closing Torque	Number Turns
EN1	750mm	20kg	175°	9Nm	0
EN2	850mm	40kg	175°	13Nm	3*
EN3	950mm	60kg	175°	18Nm	8
EN4	1100mm	80kg	175°	26Nm	13
EN5	1250mm	100kg	175°	37Nm	18

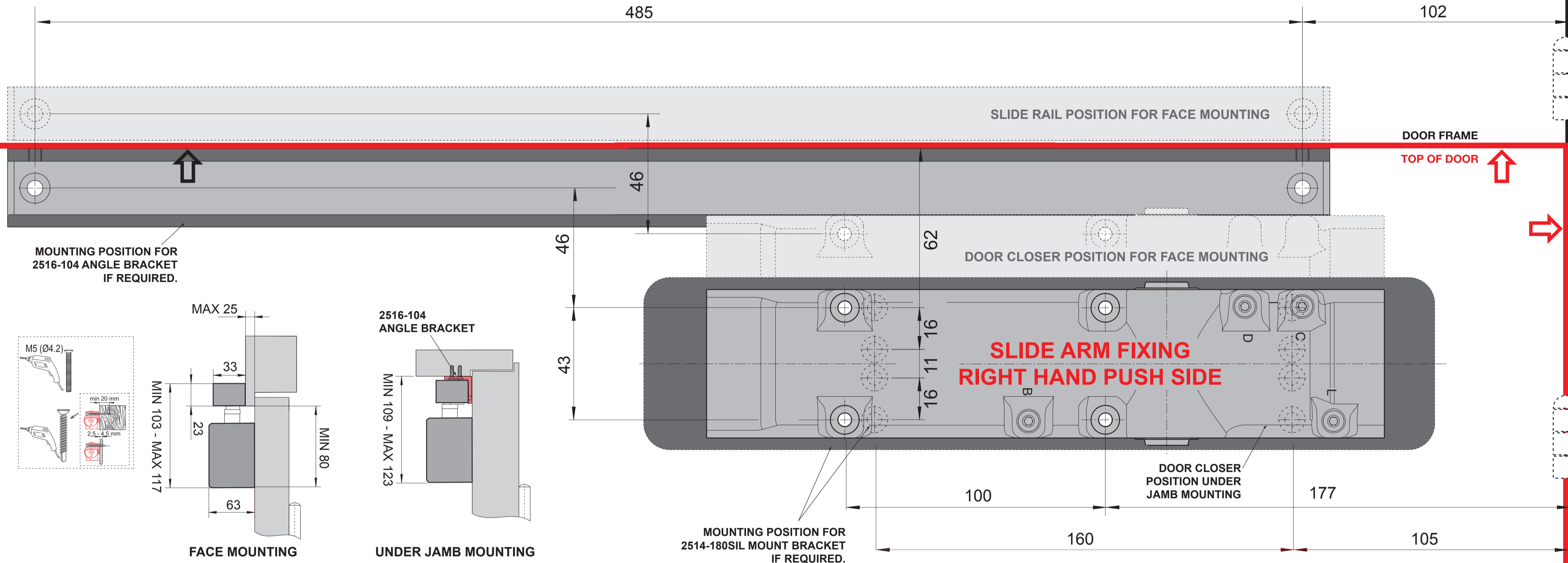
* - Factory default setting



SLIDE ARM FIXING
(RIGHT HAND DOOR PUSH SIDE)

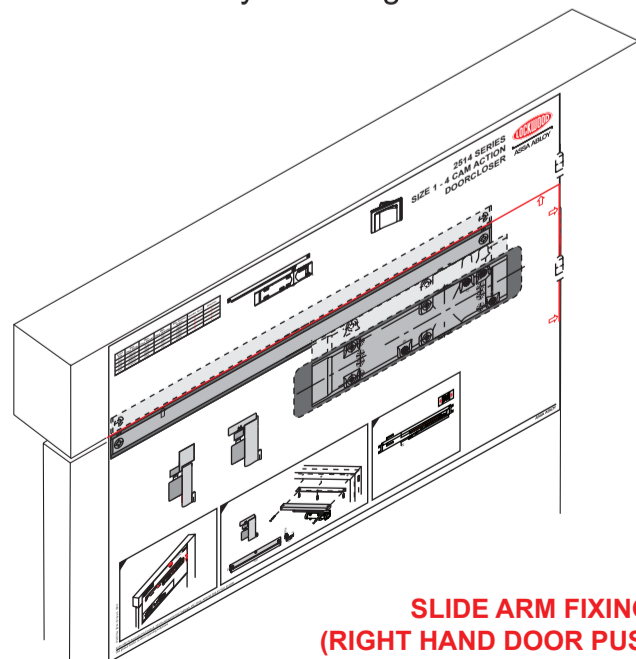


2615 SERIES SIZE 1 - 5 CAM ACTION DOORCLOSER

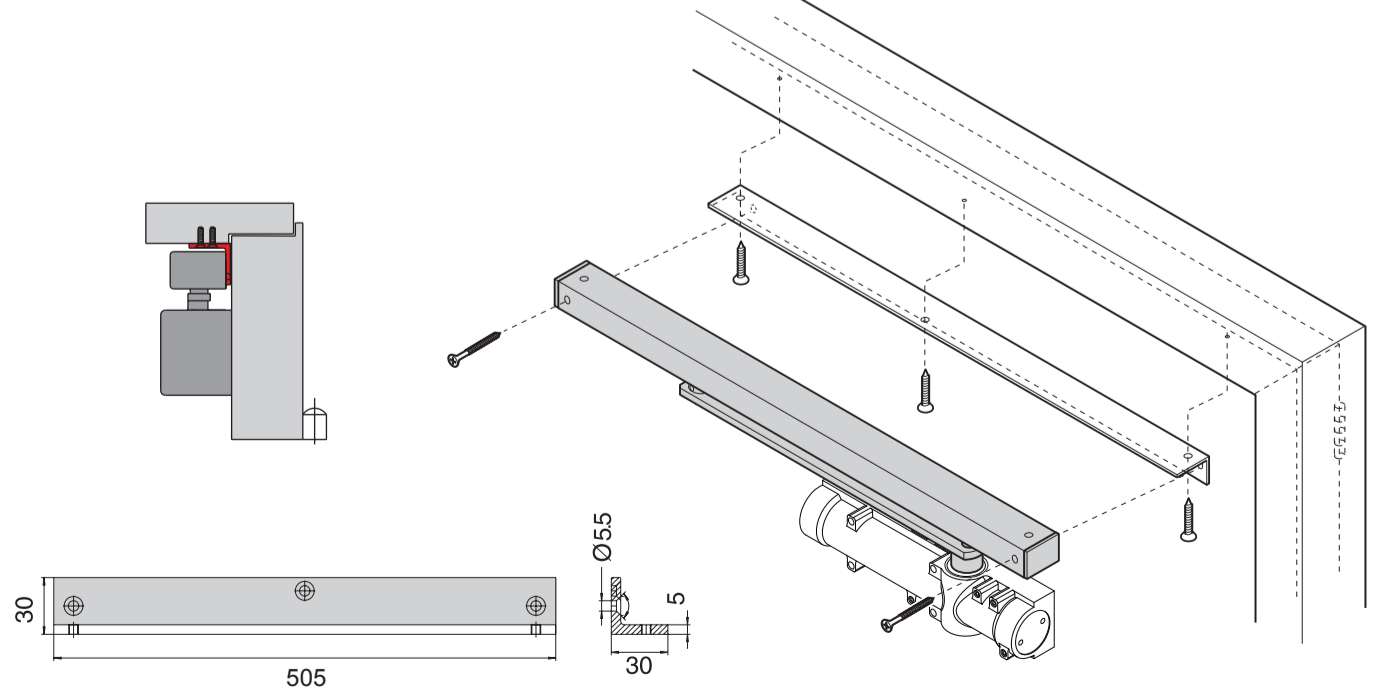


USE THIS TEMPLATE IN CONJUNCTION WITH THE 2615SSS/SIL MOUNTING INSTRUCTION (SUPPLIED)

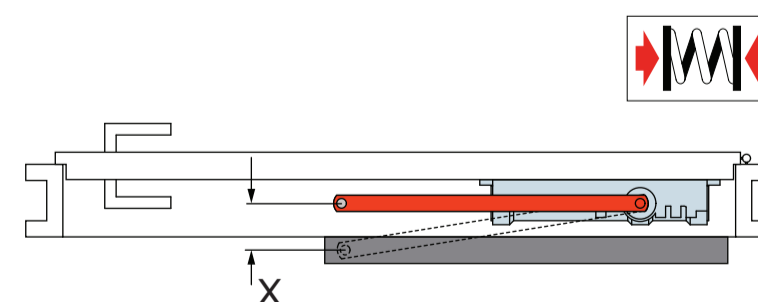
Align template to door.
Mark & drill 4 body mounting holes and 2 slide rail holes.



FITTING OF 2516-104 ANGLE BRACKET



PRE-LOADING OF THE ARM



X=min 10mm...
max 70mm

Preload pinion as shown and assemble arm to pinion.