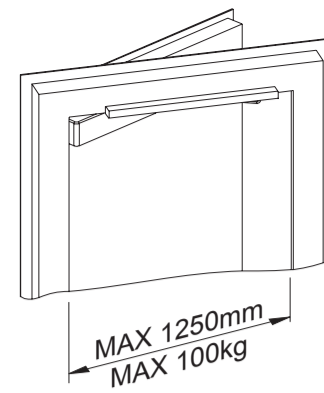


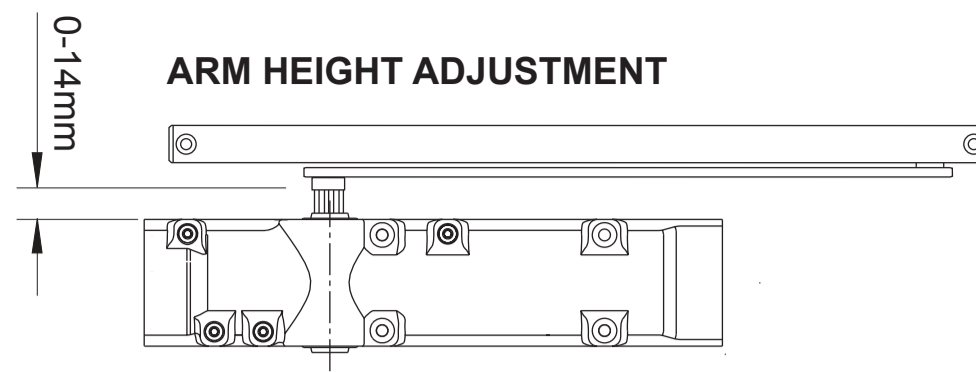


ASSA ABLOY

2615 SERIES SIZE 1 - 5 CAM ACTION DOORCLOSER

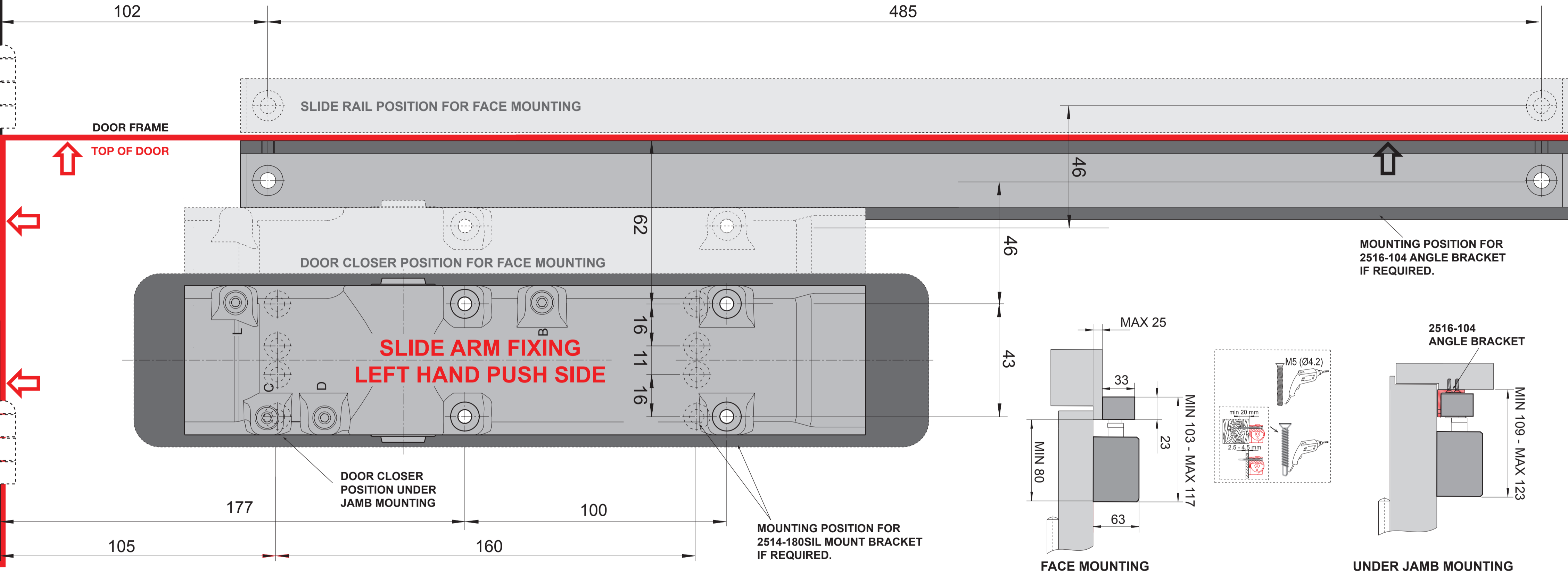


SLIDE ARM FIXING
(LEFT HAND DOOR PUSH SIDE)



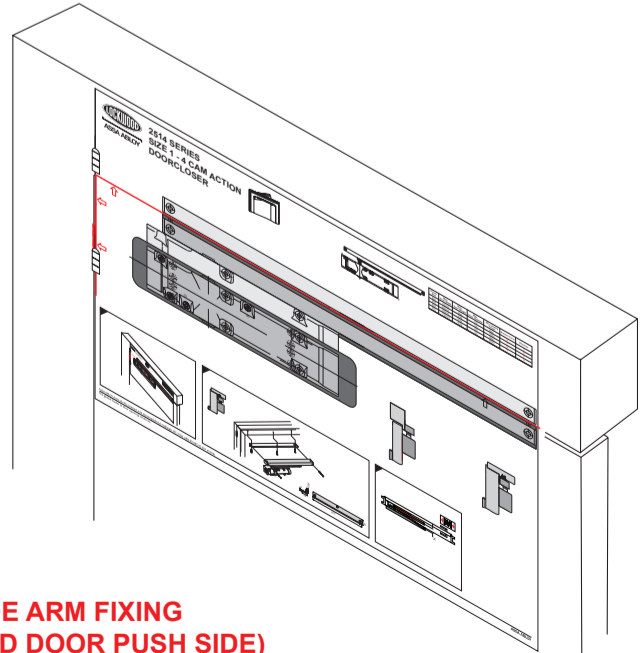
Power Size	Max. Door Width	Max. Door Weight	Max. Door Opening	Min. Closing Torque	Number Turns
EN1	750mm	20kg	175°	9Nm	0
EN2	850mm	40kg	175°	13Nm	3*
EN3	950mm	60kg	175°	18Nm	8
EN4	1100mm	80kg	175°	26Nm	13
EN5	1250mm	100kg	175°	37Nm	18

* - Factory default setting



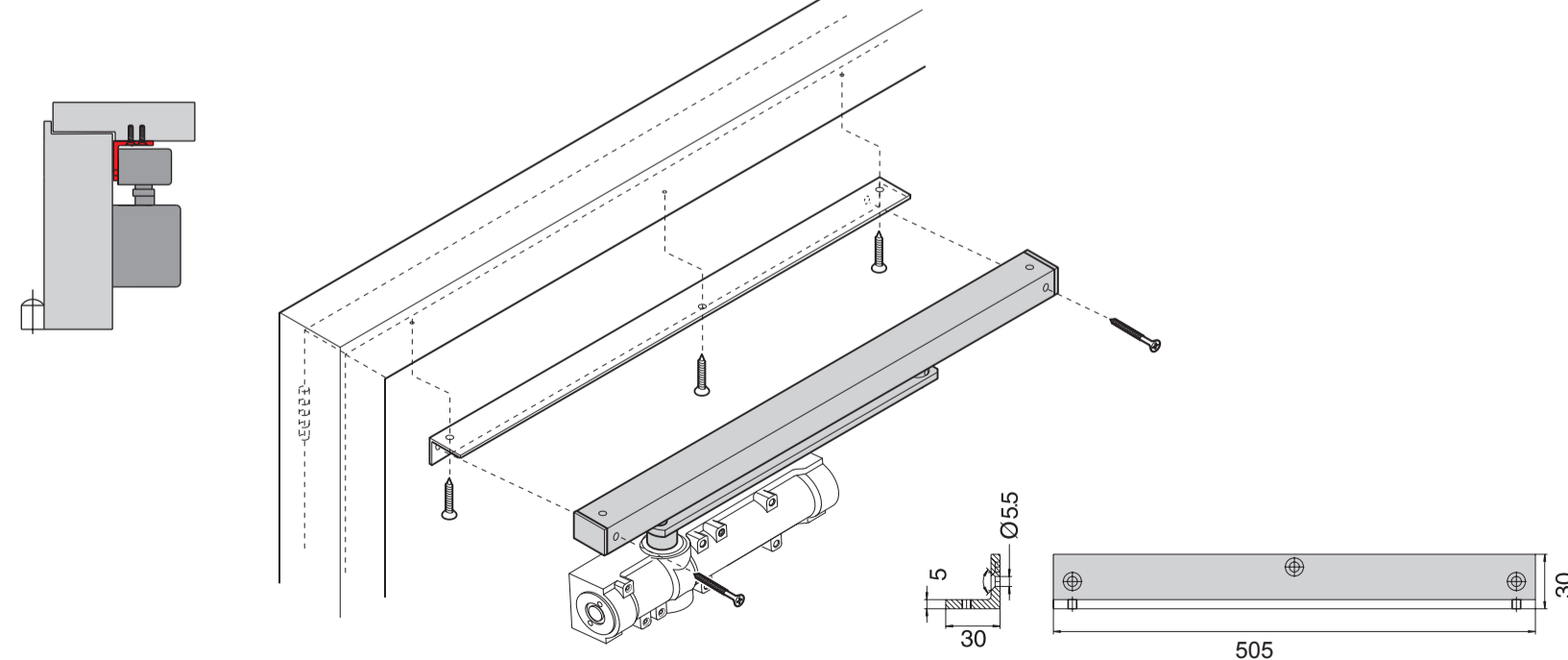
USE THIS TEMPLATE IN CONJUNCTION WITH THE 2615SSS/SIL MOUNTING INSTRUCTION (SUPPLIED)

Align template to door.
Mark & drill 4 body mounting holes and 2 slide rail holes.

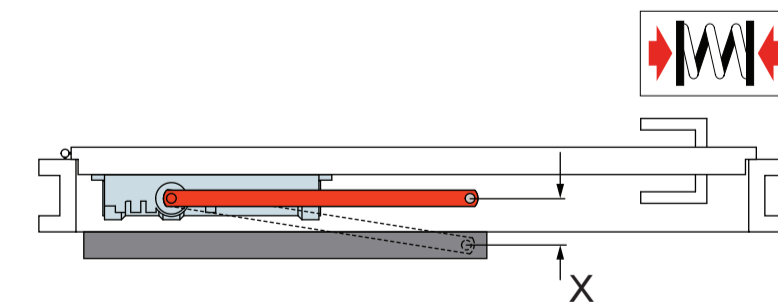


SLIDE ARM FIXING
(LEFT HAND DOOR PUSH SIDE)

FITTING OF 2516-104 ANGLE BRACKET



PRE-LOADING OF THE ARM



X=min 10mm...
max 70mm

Preload pinion as shown and assemble arm to pinion.