

ASSA ABLOY is the global leader in door opening solutions, dedicated to satisfying end-user needs for security, safety and convenience



Please Note:

This document is provided as a dimensional reference and should not be printed as a drilling template unless it can be correctly scaled to 100% by your printer.

ASSA ABLOY Australia Pty Limited
235 Huntingdale Road,
Oakleigh Victoria, 3166
Australia

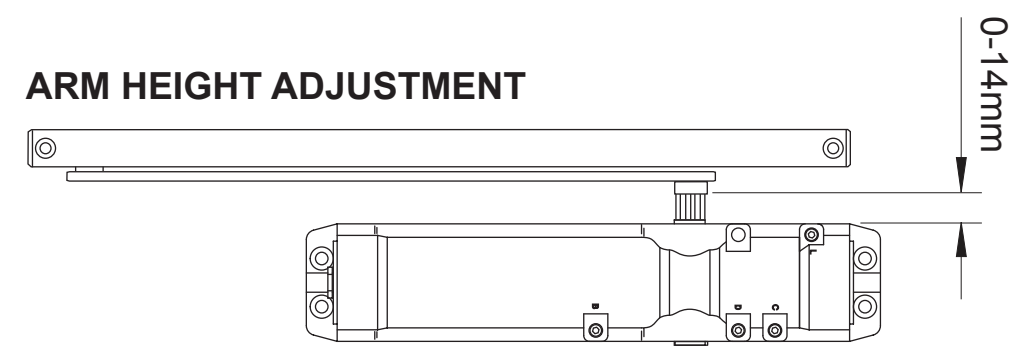
info.au@assaabloy.com
assaabloy.com.au

ASSA ABLOY New Zealand Ltd.
6 Armstrong Road
Albany, North Shore City, 0632
New Zealand

info.nz@assaabloy.com
assaabloy.co.nz

| Power Size | Max. Door Width | Max. Door Weight | Max. Door Opening | Min. Closing Torque | Number Turns |
|------------|-----------------|------------------|-------------------|---------------------|--------------|
| EN1 | 750mm | 20kg | 175° | 9Nm | 1 |
| EN2 | 850mm | 40kg | 175° | 13Nm | 2 |
| EN3 | 950mm | 60kg | 175° | 18Nm | 4* |
| EN4 | 1100mm | 80kg | 175° | 26Nm | 6 |
| EN5 | 1250mm | 100kg | 175° | 37Nm | 9 |
| EN6 | 1400mm | 120kg | 175° | 54Nm | 13 |

* - Factory default setting



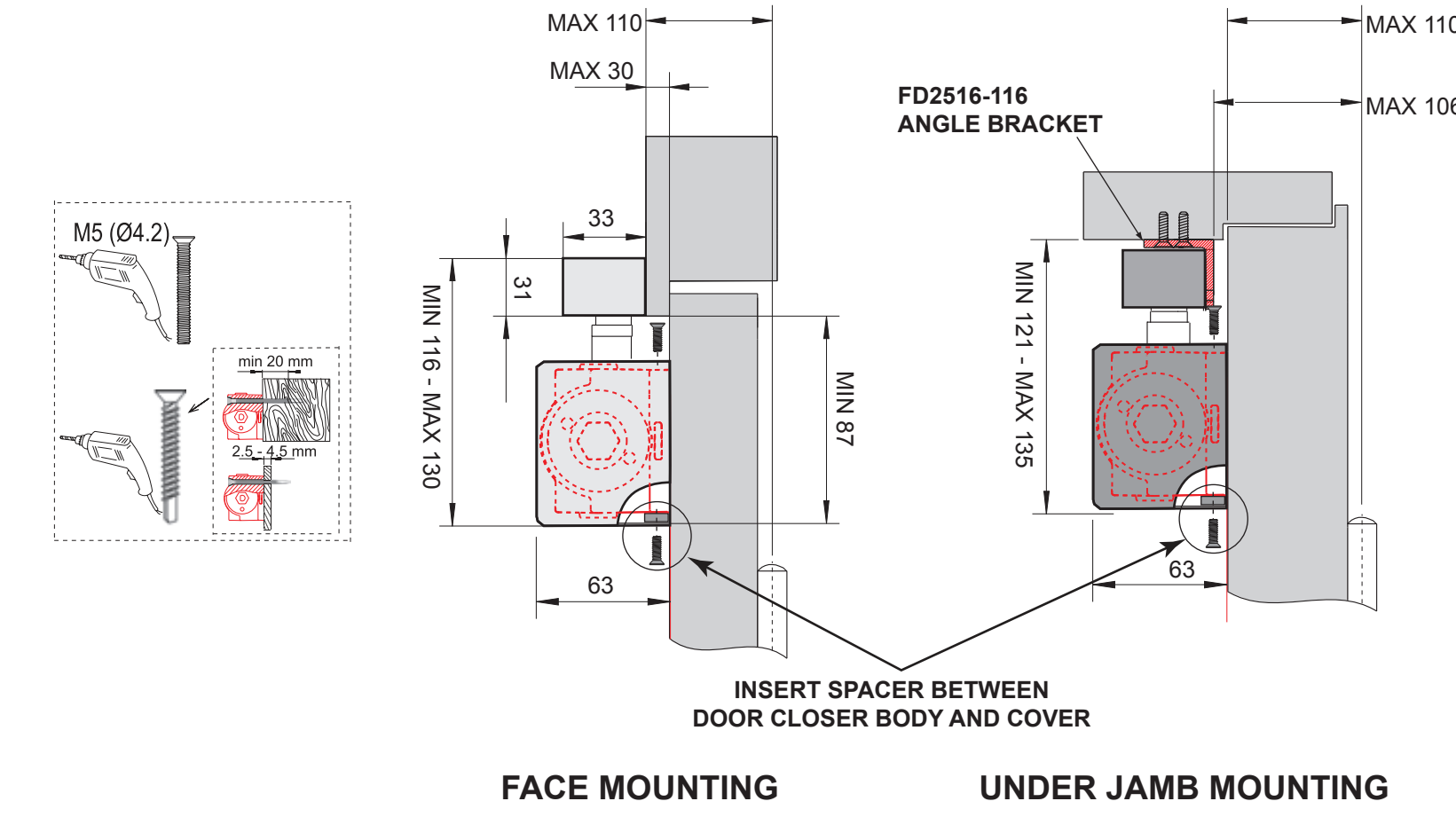
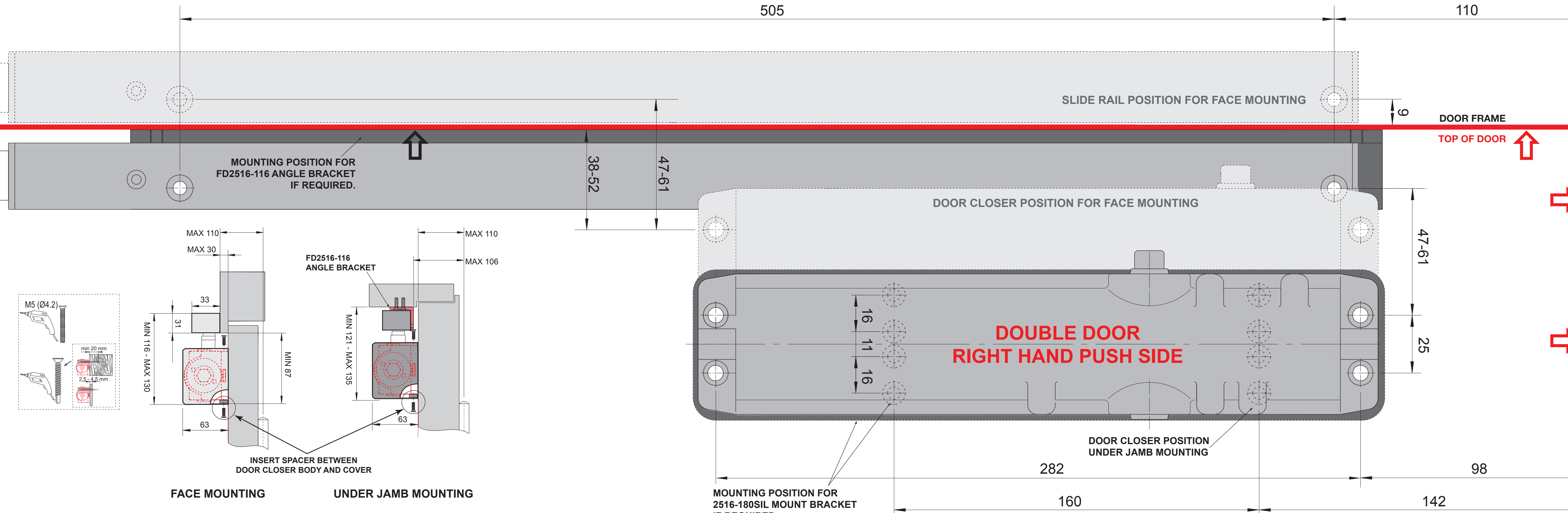
2516EMCD & 2516CO SERIES

ELECTROMECHANICAL HOLD OPEN DOORCLOSER

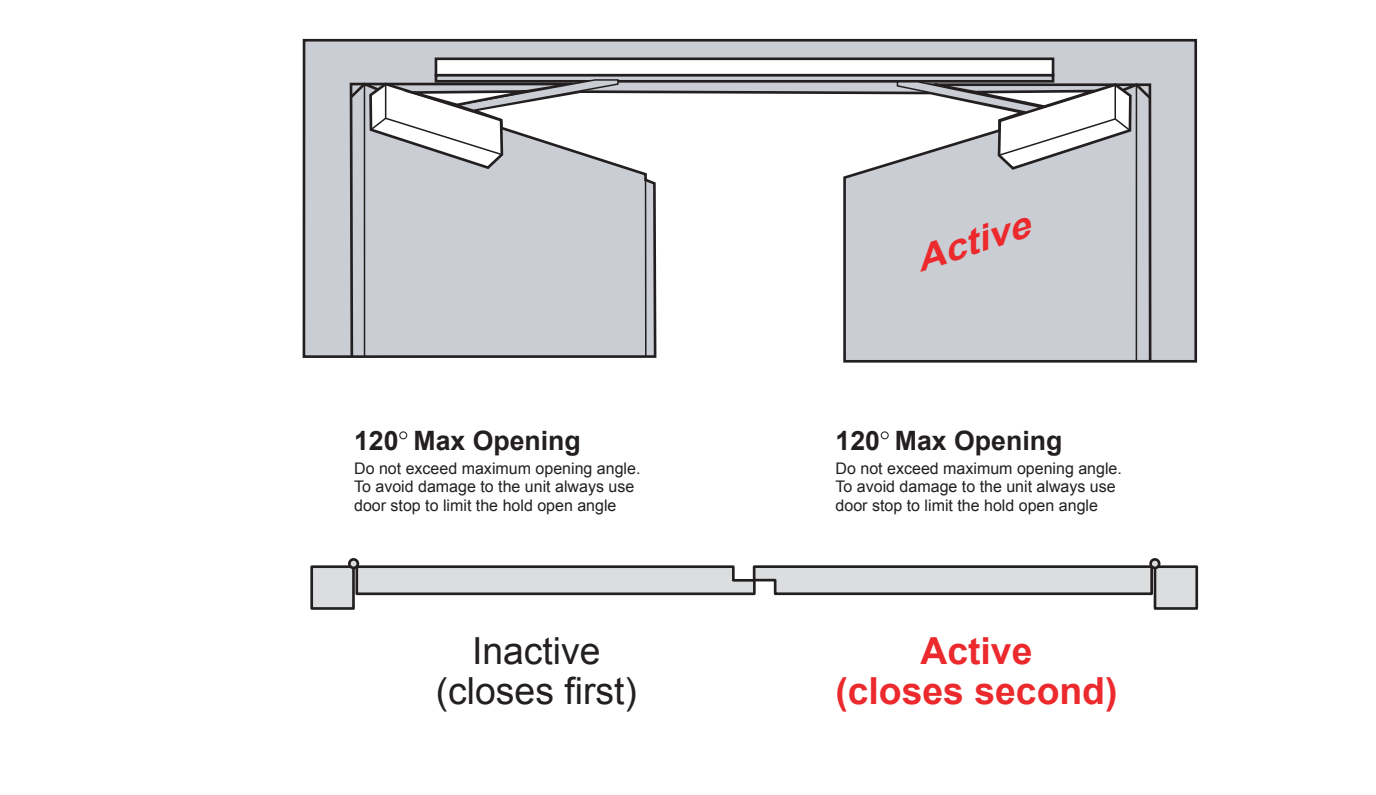
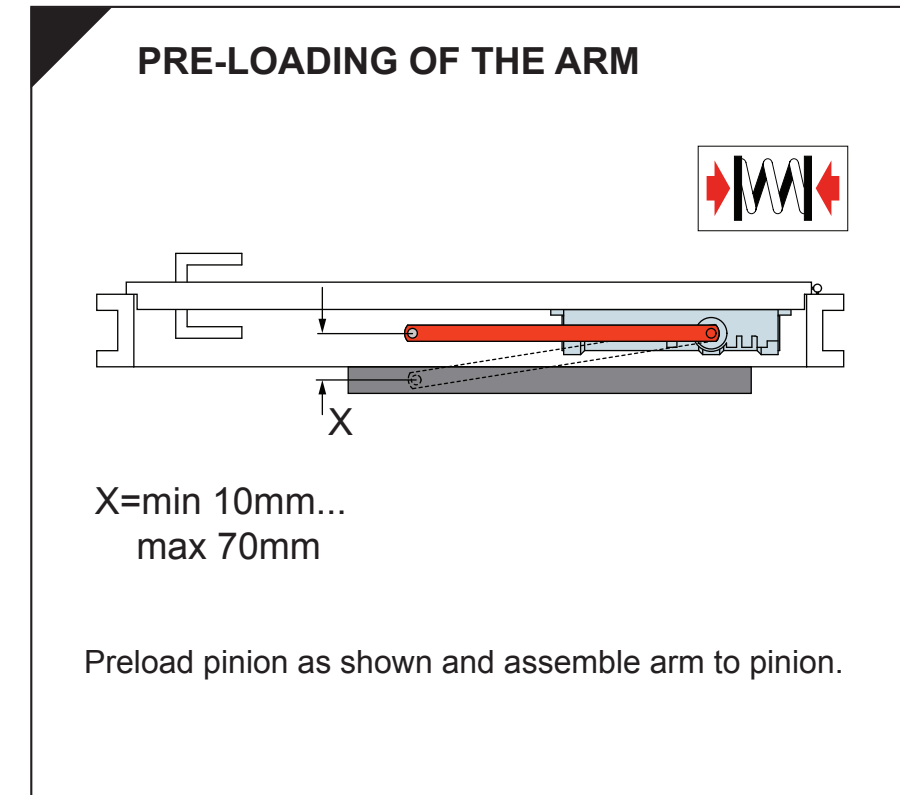
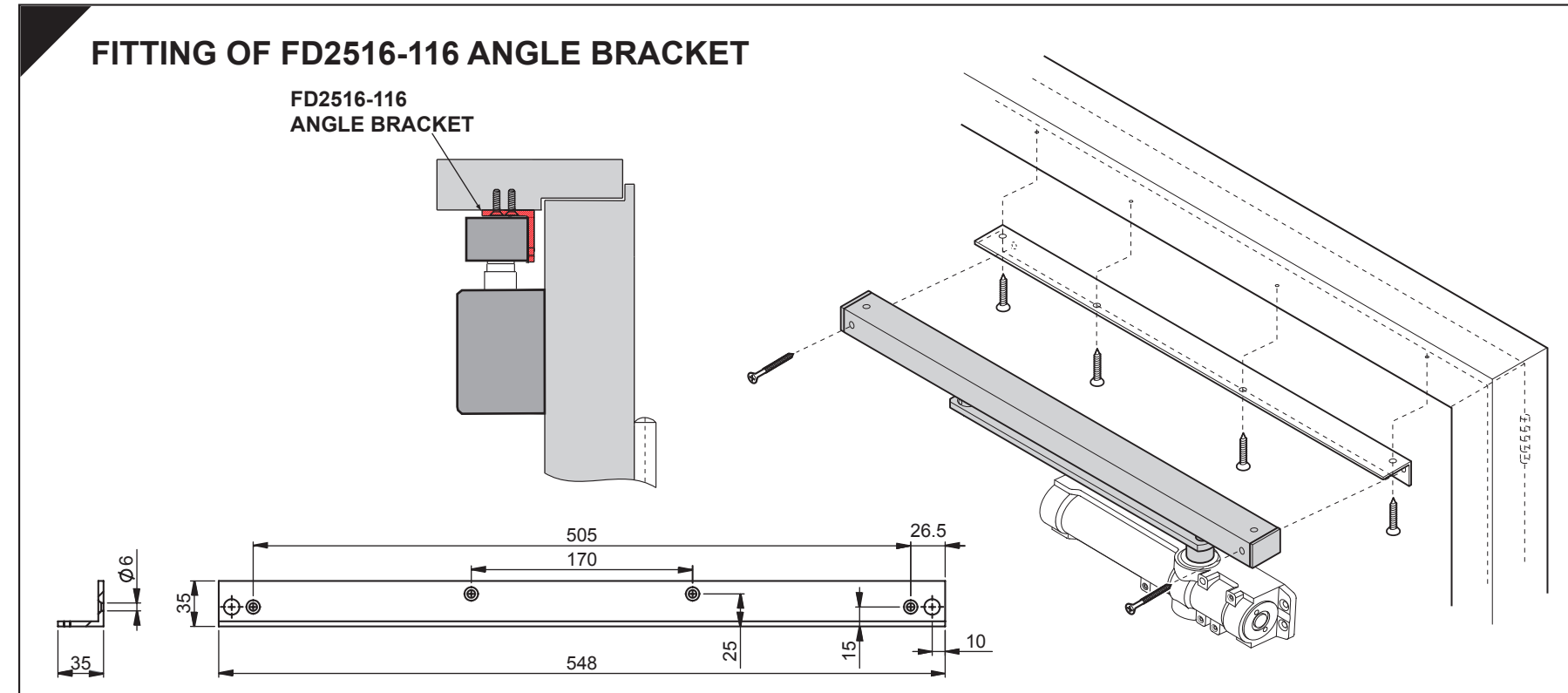
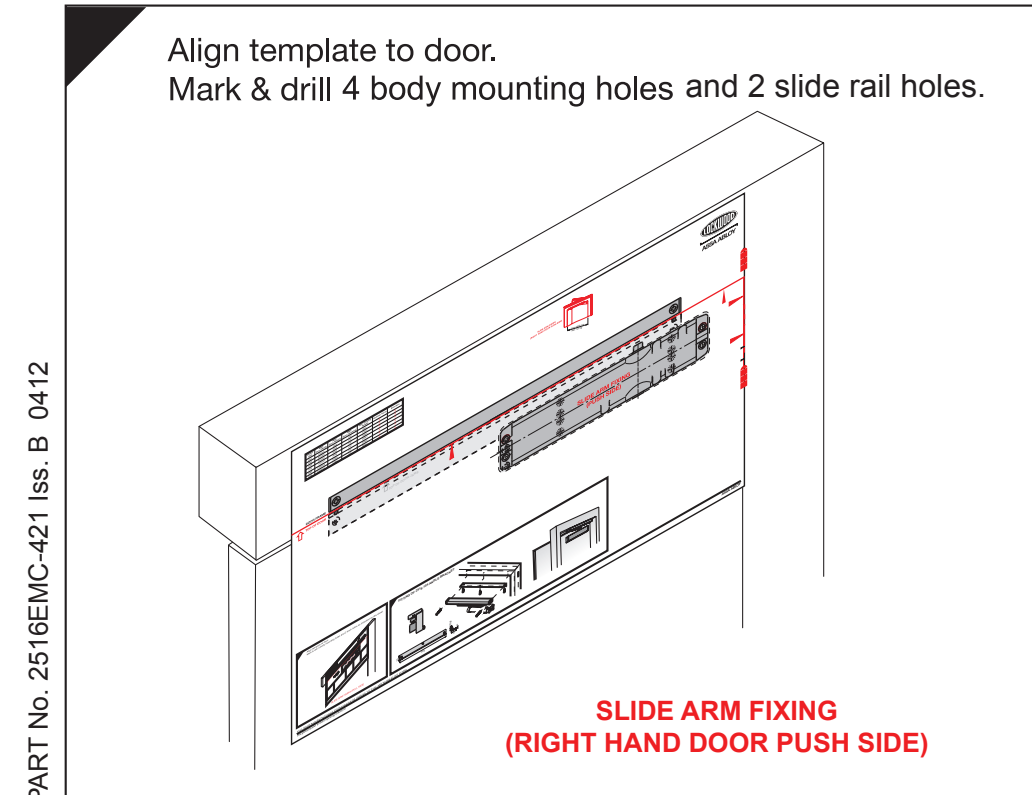
PUSH SIDE / ACTIVE LEAF



ASSA ABLOY



USE THIS TEMPLATE IN CONJUNCTION WITH THE 2516EMCD & 2516CO INSTALLATION INSTRUCTION (SUPPLIED)



PART No. 2516EMC-421 Iss. B 0412