

ASSA ABLOY is the global leader in door opening solutions, dedicated to satisfying end-user needs for security, safety and convenience



## Please Note:

This document is provided as a dimensional reference and should not be printed as a drilling template unless it can be correctly scaled to 100% by your printer.

ASSA ABLOY Australia Pty Limited  
235 Huntingdale Road,  
Oakleigh Victoria, 3166  
Australia

[info.au@assaabloy.com](mailto:info.au@assaabloy.com)  
[assaabloy.com.au](http://assaabloy.com.au)

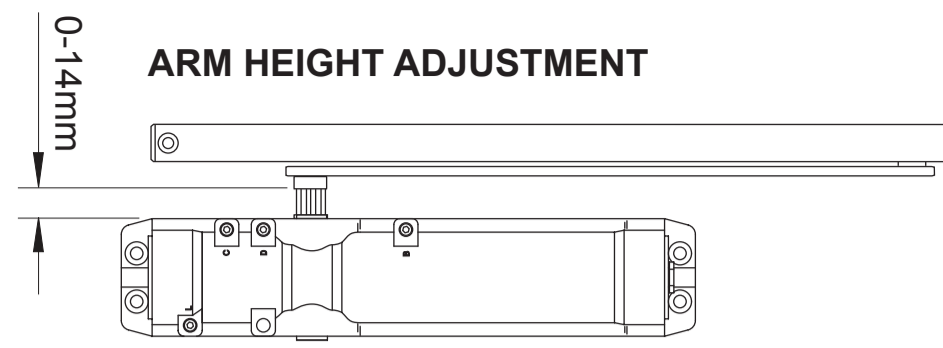
ASSA ABLOY New Zealand Ltd.  
6 Armstrong Road  
Albany, North Shore City, 0632  
New Zealand

[info.nz@assaabloy.com](mailto:info.nz@assaabloy.com)  
[assaabloy.co.nz](http://assaabloy.co.nz)



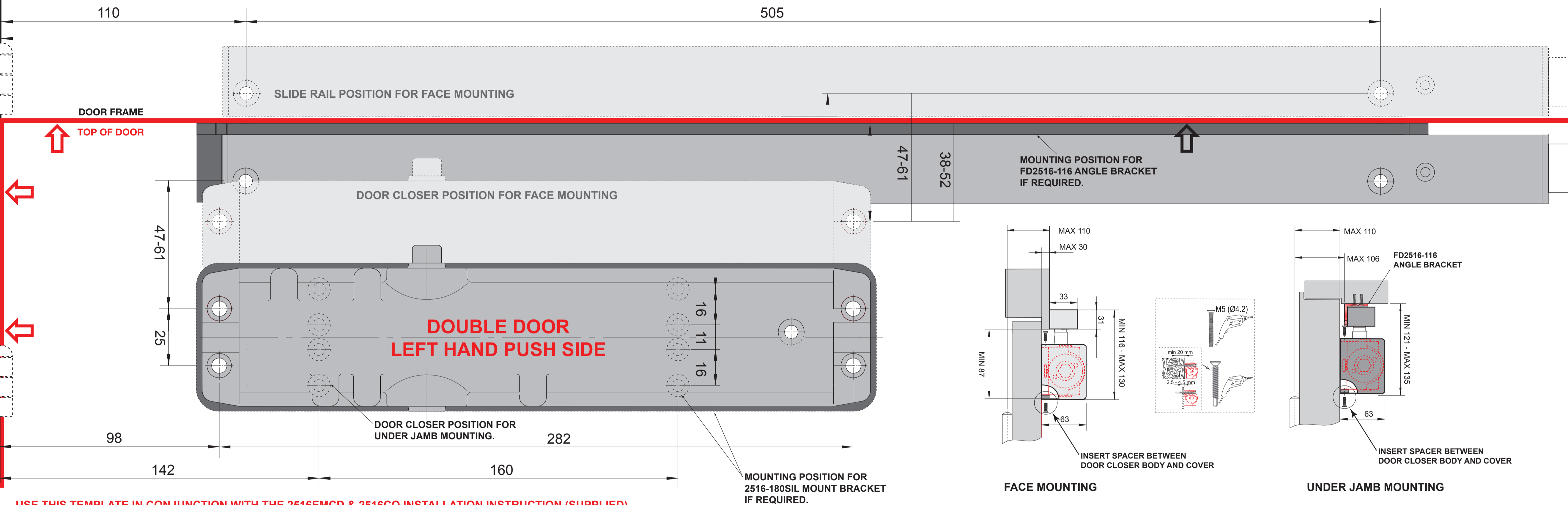
ASSA ABLOY

# 2516EMCD & 2516CO SERIES ELECTROMECHANICAL HOLD OPEN DOORCLOSER PUSH SIDE / ACTIVE LEAF



Power Size	Max. Door Width	Max. Door Weight	Max. Door Opening	Min. Closing Torque	Number Turns
EN1	750mm	20kg	175°	9Nm	1
EN2	850mm	40kg	175°	13Nm	2
EN3	950mm	60kg	175°	18Nm	4*
EN4	1100mm	80kg	175°	26Nm	6
EN5	1250mm	100kg	175°	37Nm	9
EN6	1400mm	120kg	175°	54Nm	13

\* - Factory default setting



USE THIS TEMPLATE IN CONJUNCTION WITH THE 2516EMCD & 2516CO INSTALLATION INSTRUCTION (SUPPLIED)

