

ASSA ABLOY is the global leader in door opening solutions, dedicated to satisfying end-user needs for security, safety and convenience



Please Note:

This document is provided as a dimensional reference and should not be printed as a drilling template unless it can be correctly scaled to 100% by your printer.

ASSA ABLOY Australia Pty Limited
235 Huntingdale Road,
Oakleigh Victoria, 3166
Australia

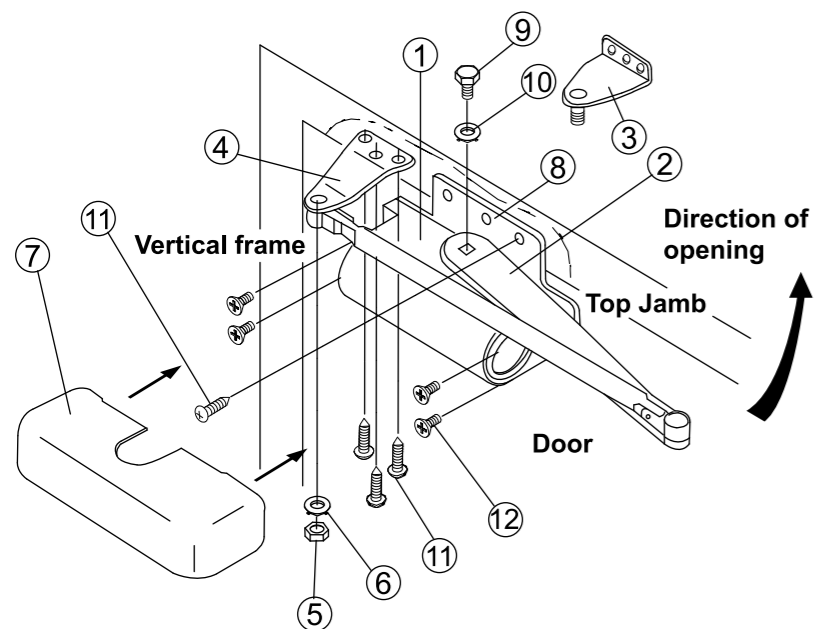
info.au@assaabloy.com
assaabloy.com.au

ASSA ABLOY New Zealand Ltd.
6 Armstrong Road
Albany, North Shore City, 0632
New Zealand

info.nz@assaabloy.com
assaabloy.co.nz

INSTALLATION INSTRUCTIONS

1 PARTS AND ASSEMBLY DIAGRAM



Name of Parts		Name of Parts	
①	Boby	⑦	Boby Cover
②	Arm / Link	⑧	Back Plate
③	L Bracket	⑨	Boby / Arm connecting Screw
④	D Bracket	⑩	Boby / Arm connecting Washer
⑤	Bracket / Link connecting Nut	⑪	Back plate / Bracket Screws
⑥	Bracket / Link connecting Washer	⑫	Boby / Boby plate Screws

2 Type of Top Jamb ①, ② and ③

3 Choose the proper Template and cut off for use.

4 Determine the type of Bracket "L" or "D" to be used based on the shape of Top Jamb.

5 Determine the direction of Template depend on the head of door.

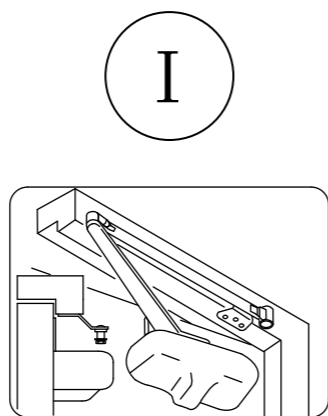
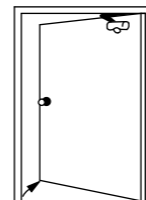
I (On deciding mounting location, place (A) side first on the door and then (B) side on the top jamb.)
Fold this template at right angle along draw line and place (A) side on the door face and (B) side on the bottom side of top jamb.

II (On deciding mounting location, place (A) side first on the door and then (B) side on the top jamb.)
Fold this template at right angle along draw line, place (A) side on the door face and then determine location of Back Plate screw holes.
Fold this template at right angle along draw line, place (B) side to the bottom side of top jamb. Determine location of Bracket screw holes.

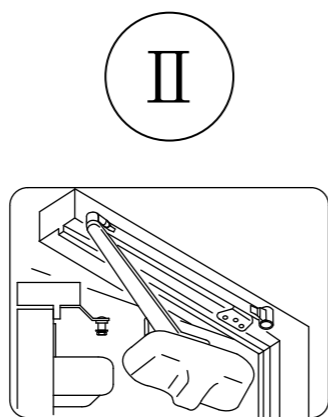
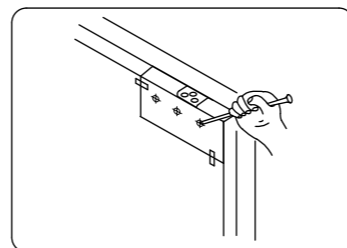
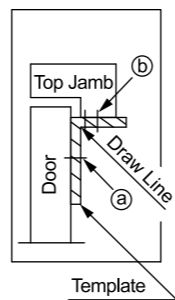
III (On deciding mounting location, place (A) side first on the door and then (B) side on the top jamb.)
Fold this template at right angle, place (A) side on the door face and then determine location of Back Plate screw holes.
Fold this template at right angle in inverted "V" shape, place (B) side on the side face of top jamb. Determine location of Bracket screw holes.

Type of Top Jamb

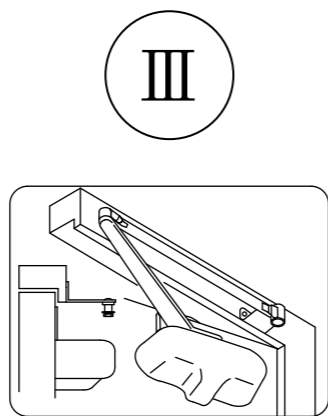
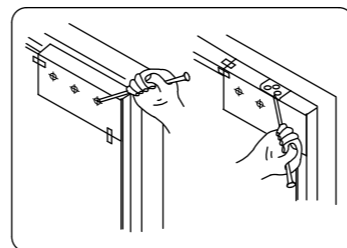
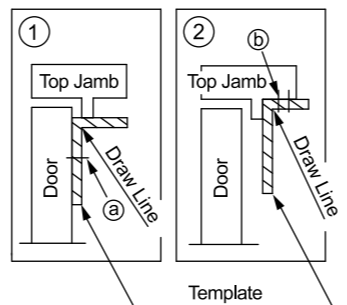
Usage of template



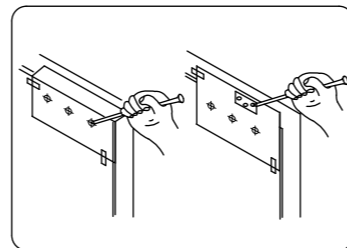
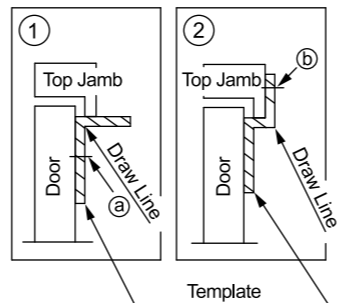
"D" Bracket



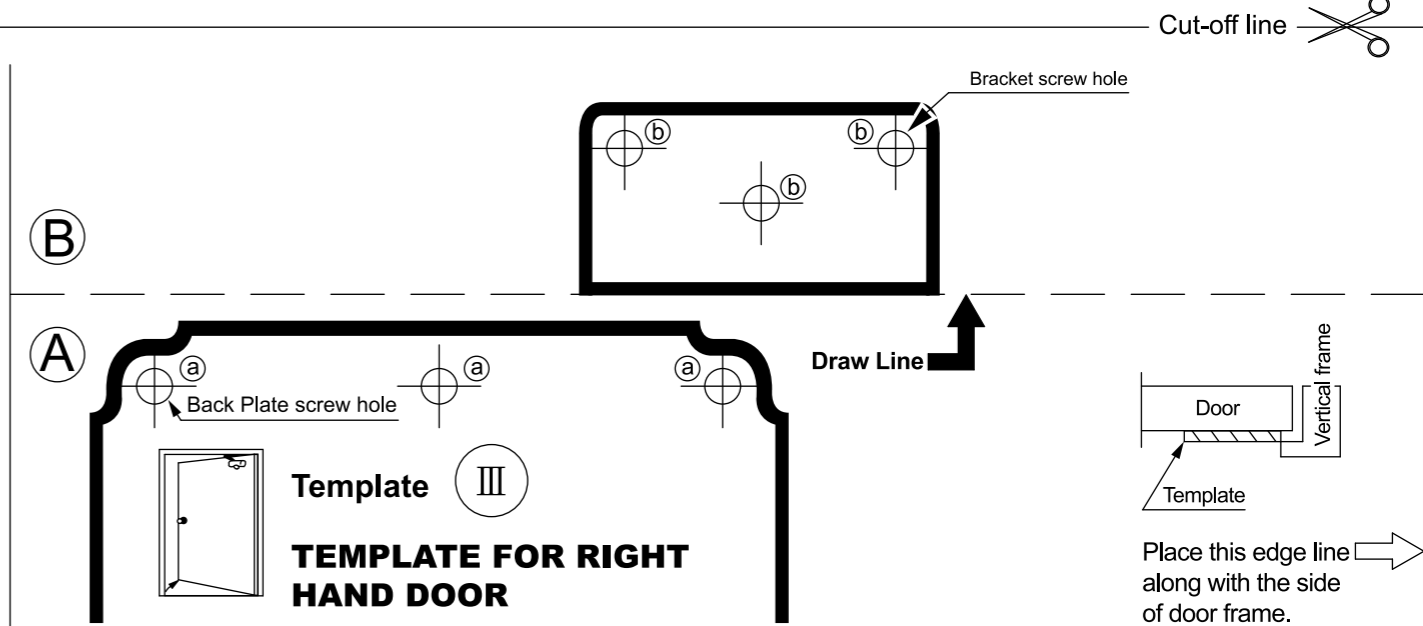
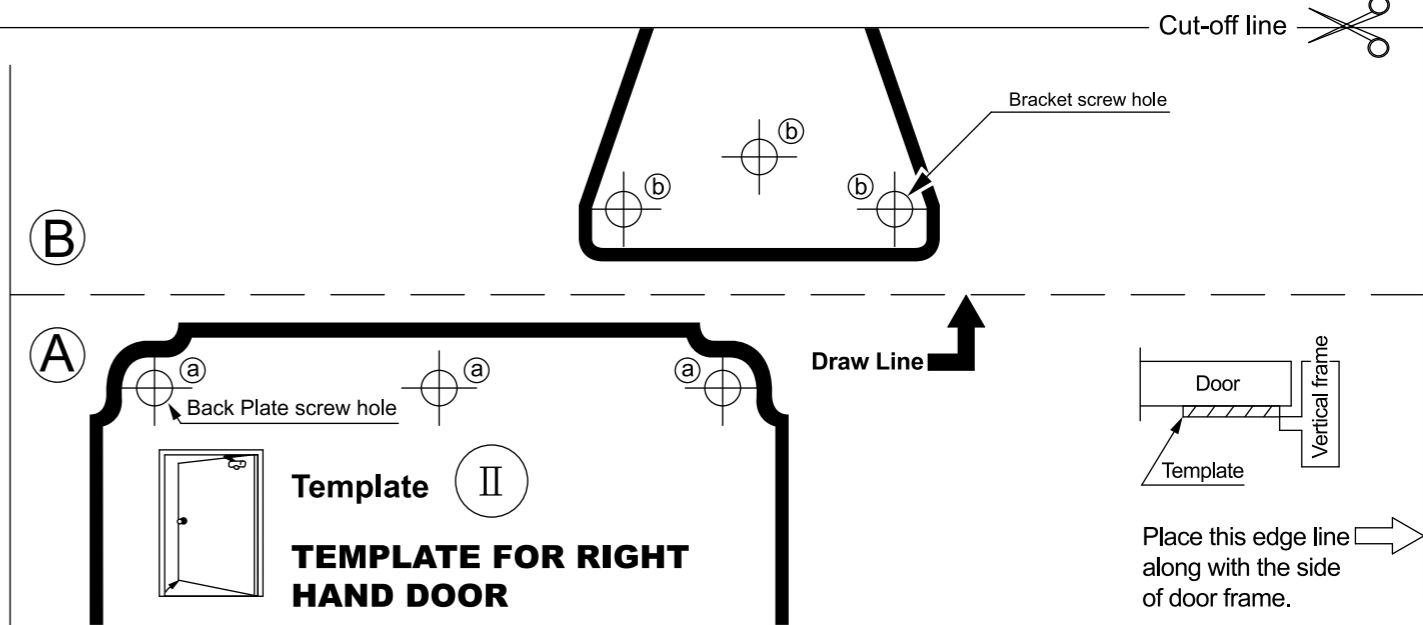
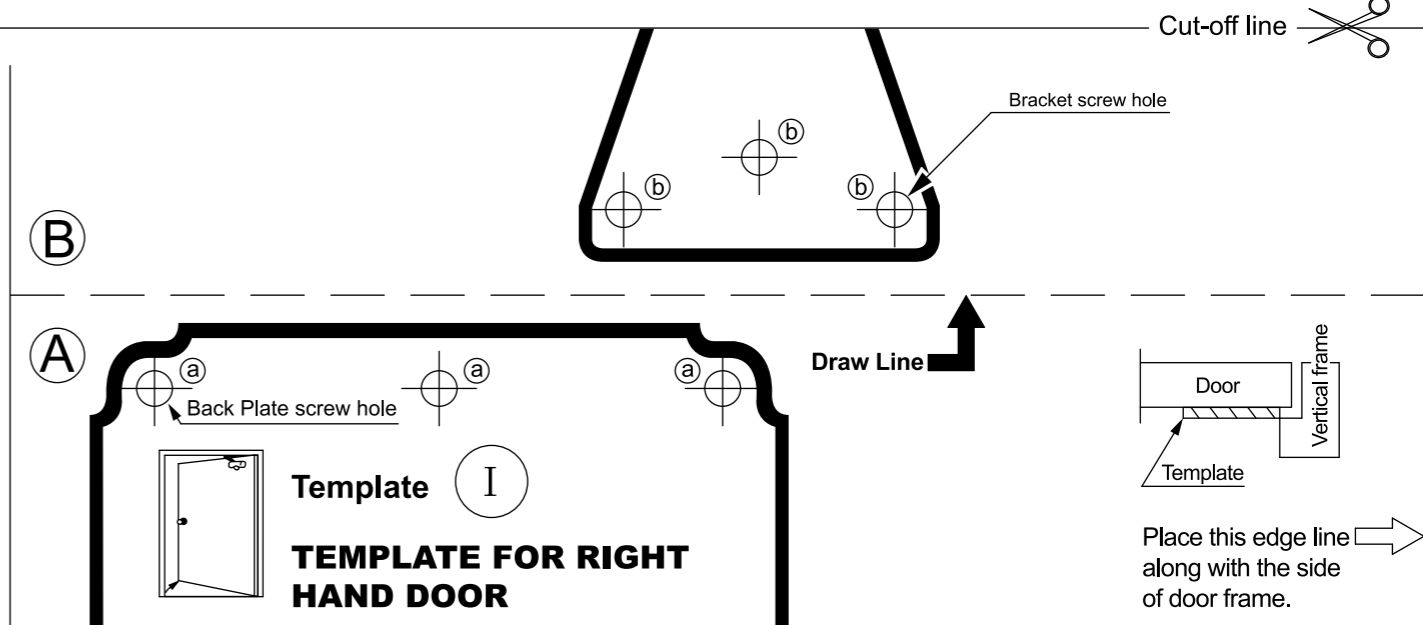
"D" Bracket



"L" Bracket



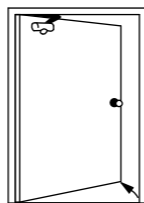
TEMPLATE FOR RIGHT HAND DOOR





TEMPLATE FOR LEFT HAND DOOR

ASSA ABLOY



Usage of template

Type of Top Jamb

Template I
TEMPLATE FOR LEFT HAND DOOR

Bracket screw hole (b)

Back Plate screw hole (a)

Draw Line

Vertical frame

Door

Template

Place this edge line along with the side of door frame.

Usage of template

Top Jamb

Door

Draw Line

Template

"D" Bracket

Type of Top Jamb

I

"D" Bracket

6 Attachment of Bracket / Back plate

Bracket (4)

Back plate Bracket Screw (11)

Back plate (8)

Back plate Bracket Screw (11)

Please check front and back of Bracket. The word "Door side" does not be seen after attachment to the door.

In case thickness of door is less than 28mm please use short wood screws to match the thickness of door.

7 Connection of Boby / Arm

Boby Arm Connecting Screw (9)

Boby Arm Connecting Washer (10)

Boby (1)

Arm (2)

Speed Adjusting Valve

Place arm on shaft of body with boby/arm connecting screw and then secure by using a screw driver or wrench, etc.

[Reference]
Speed adjusting screw and connection part of arm / link is in the direction of lock.

8 Fixation of Boby / Back plate

Boby Back plate Screw (12)

9 Connection of Bracket / Link

Bracket Link Connecting Washer (6)

Bracket Link Connecting Nut (5)

Connect link and Bracket using Bracket / Link Connecting Nut and Bracket / Link Connecting Washer.

10 Placement of Cover over Boby

Boby cover (7)

※ After adjusting closing speed, place Boby cover over Boby.

11 How to adjust closing speed

Speed Adjusting Valve

Speed Adjusting Valve controls door closing speed.

to slow down swing speed of the door turn Speed Adjusting Valve to the right (Clockwise).

to speed up the swing speed of the door turn the Valve to the left (Counter clockwise).

12 Built-In Hold-Open device on security / screen doors (Optional)

0°

90°

The door can be held st an angle of 85° degrees by opening the door slightly pasrt 85° degrees angle. The door will then stay open at this angle. To engage the automatic closing function simply push the door to an angle of approximately 90° degrees and then towards the closing position and the door will then close automatically.

Template II
TEMPLATE FOR LEFT HAND DOOR

Bracket screw hole (b)

Back Plate screw hole (a)

Draw Line

Vertical frame

Door

Template

Place this edge line along with the side of door frame.

Usage of template

Top Jamb

Door

Draw Line

Template

"D" Bracket

Type of Top Jamb

II

"D" Bracket

Template III
TEMPLATE FOR LEFT HAND DOOR

Bracket screw hole (b)

Back Plate screw hole (a)

Draw Line

Vertical frame

Door

Template

Place this edge line along with the side of door frame.

Usage of template

Top Jamb

Door

Draw Line

Template

"L" Bracket

Type of Top Jamb

III

"L" Bracket

Cut-off line